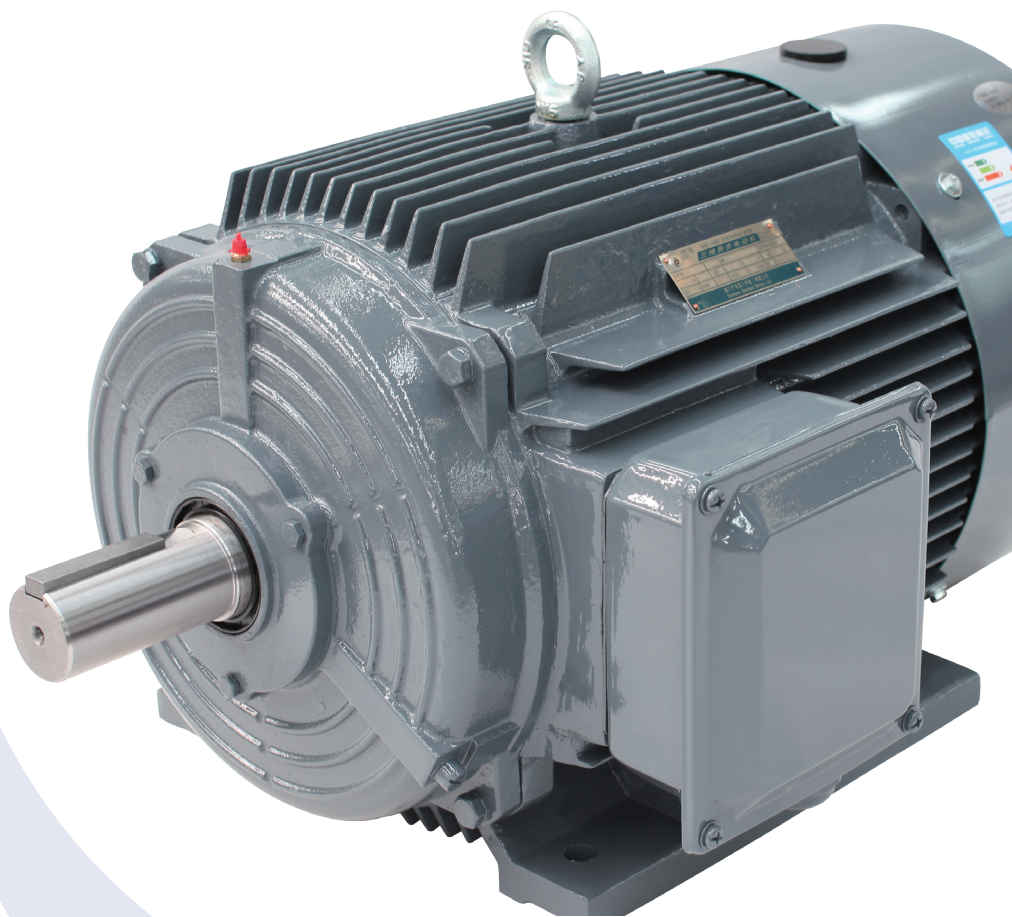


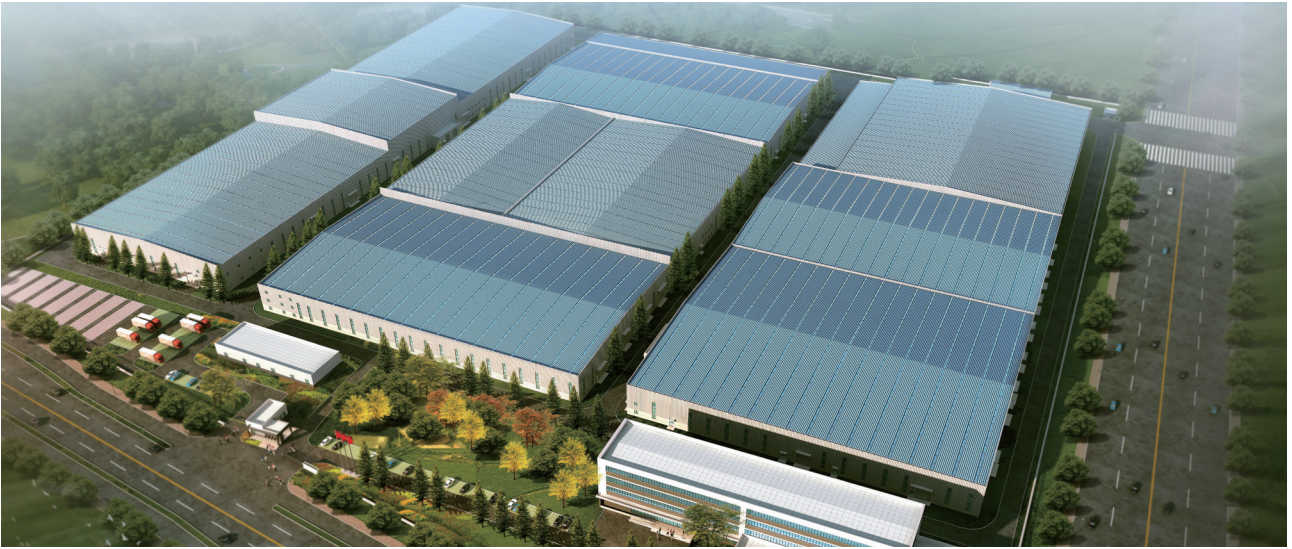


1TLO 铸铁系列低压三相异步电动机 1TLO Cast Iron series Low-voltage Three-phase Asynchronous Motor

产品样本 Catalog
2020. 09



公司概况 Company Profile



西门子电机（中国）有限公司 Siemens Standard Motors Ltd. (SSML)

西门子电机（中国）有限公司是西门子在中国的独资企业，位于江苏省仪征市，公司主要致力于研发和生产中小型低压三相异步电动机。目前生产符合 IEC 标准的西门子品牌三相异步电动机、以及按中国标准设计的贝得品牌系列三相异步电动机。

作为西门子在全球中小型低压电机产品的重要生产基地之一，公司坚持秉承西门子 100 多年的电动机设计和生产经验和先进技术，拥有先进的生产设备和生产工艺，采用西门子特色的现代化管理模式，严格按照国际标准 ISO9001:2015 实施全面质量管理，竭诚为广大客户提供优质的产品和服务！

Siemens Standard Motors Ltd. (SSML) is a Siemens-owned company in China. SSML is located in Yizheng City, Jiangsu Province. The company focuses on developing and producing small and medium low-voltage motors. Currently, SSML mainly produce Siemens brand low voltage AC motors according to IEC standards, and Beide brand low voltage motors designed according to China local standards.

As one of Siemens main low-voltage motor production facilities worldwide, SSML uses the knowledge and experience of more than 100 years in motor design and manufacturing, owns the advanced manufacture equipment and process, adopts the SIEMENS modern management model, and implements comprehensive quality control according to ISO9001 2015. SSML will continuously serve customers with high quality products and good service.

公司概况 Company Profile



质量方针

- 质量从我做起，第一次把事情做对。
- 鼓励员工发现问题并勇于承担责任。
- 拒不接受不合格产品。
- 持续改进我们的流程，超越客户期望。

环境方针

西门子电机（中国）有限公司的环境、职业健康和安全管理方针是：

- 我们依据 ISO14001:2015 和 ISO 45001:2018 标准的要求，有效建立、实施环境和职业健康安全管理体系，不断提高，持续改进。
- 我们承诺遵守环境、职业健康安全相关的法律法规，履行环境保护及职业健康安全防护职责。
- 我们致力于履行应负的社会责任和义务，合理使用资源，保护环境，加强职业健康安全管理，实现安全生产零伤害。

Quality Guideline

- Quality starts with me, Do it right in the first time.
- Encourage our employee to address problem openly and take responsibility.
- Refuse to accept defective product.
- Continuously improve our process to exceed customer's expectation.

Environmental Guideline

EHS Policy of Siemens Standard Motors Ltd. is as follows:

- We institute and implement a continuously improving management system addressing our environment, occupational health and safety in compliance with the requirements of ISO14001:2004 and OHSAS18001:2007 criteria.
- We commit ourselves to abiding by the environmental, occupational health and safety laws and regulations, and fulfilling our duties in environmental protecting and occupational health safeguarding.
- We commit ourselves to the fulfillment of our social responsibility and obligation, properly harnessing resources, protecting our environment, enhancing occupational health and safety management with the ultimate goal of zero harm in our production process.

目录 Contents

概述 Overview	6
变频应用 Converter fed application	12
订货号 Order No.	14
选型技术数据表 Technical data table	17
选件 Options	24
外形尺寸 Dimension drawings	26

概述 Overview



铸铁壳电机 Cast iron housing motor

额定功率：0.55 ~ 315 kW

机座号：80 ~ 355

电压与频率：支持多种电压与频率

冷却方式：IC411

注油装置：机座号 180 ~ 355 的电机标配

防护等级：IP55

绝缘等级：F

环境温度：-15 ~ 40 °C

海拔高度：不超过 1000 m

Rated output: 0.55 ~ 315 kW

Frame size: 80 ~ 355

Voltage and Frequency: support multiple voltage and frequency

Cooling method: IC411

Oiling device: FS180~355 motor as standard

Degree of protection: IP55

Degree of insulation: F

Coolant temperature: -15 ~ 40 °C

Site altitude above sea level: not exceed 1000 m

1TLO 系列电动机是全新设计的高效低压三相异步电动机，机壳有铸铁和铸铝两种可选¹⁾，适用于连续工作制(S1)工作运行。1TLO 系列电动机具有效率高、结构新颖、造型美观、噪音低、振动小、绝缘等级高等特点，可用于风机、泵、压缩机、纺织机械等多种工业应用领域。

通过采用 1TLO 系列电动机，客户可以节能达 10%，这有利于提升客户的行业地位，增强其产品的竞争力！

¹⁾ 铝壳电机内容请单独见铝壳电机样本。

1TLO series of motors is the newly designed high efficiency low voltage three phase asynchronous motor, the housing material have two options, cast iron or aluminum¹⁾, is designed for continuous duty operation(S1). 1TLO series of motors owns the features of high efficiency, novel structure, beautiful appearance, low noise, small vibration, high degree of insulation, etc, also can be used in the fields of fans, pump, compressors and textile machine.

By adopting the 1TLO series of motors, customer can save energy up to 10%, which contributes to upgrading the status of the industry and enhancing the competitive power of the products.

¹⁾ Please find the Al frame motor content in another catalog.

安装结构型式 Construction and mounting type

结构型式 Construction type	机座带底脚，端盖无法兰 With feet and without flange on the end-shield (DE)					
安装型式 Mounting type	IM B3 FS ³⁾ 80 ~ 355	IM B6 FS 80 ~ 160	IM B7 FS80 ~ 160	IM B8 FS 80 ~ 160	IM V5 ¹⁾ FS 80 ~ 160	IM V6 ²⁾ FS 80 ~ 160
示意图 Diagram						
结构型式 Construction type	机座不带底脚，端盖有法兰 Without feet and with flange on the end-shield (DE)			机座带底脚，端盖有法兰 With feet and with flange on the end-shield (DE)		
安装型式 Mounting type	IM B5 FS 80 ~ 280	IM V1 ¹⁾ FS 80 ~ 355	IM V3 ²⁾ FS 80 ~ 160	IM B35 FS 80 ~ 355	IM V15 ¹⁾ FS 80 ~ 160	IM V35 ²⁾ FS 80 ~ 160
示意图 Diagram						
结构型式 Construction type	机座不带底脚，端盖有标准小法兰 Without feet and with C-flange on the end-shield (DE)			机座带底脚，端盖有标准小法兰 With feet and with C-flange on the end-shield (DE)		
安装型式 Mounting type	IM B14 FS 80 ~ 112	IM V18 ¹⁾ FS 80 ~ 112	IM V19 ²⁾ FS 80 ~ 112	IM B34 FS80 ~ 112		
示意图 Diagram						

¹⁾ 室外使用时推荐使用护罩（选件号 H00）；

²⁾ 当户外安装时，推荐对电动机轴采取防护措施，避免水直接喷射到电动机轴上。

³⁾ FS – 机座号

¹⁾ At outdoor application, the using of protective cover (Option code H00) is recommended

²⁾ At out door application the protection of shaft again jet-water is recommended

³⁾ FS-frame size

铭牌样例 Nameplate

1TL0001 系列电机铭牌

1TL0001 Motor Nameplate

三相异步电动机 THREE-PHASE ASYNCHRONOUS MOTOR Eff. Grade3 GB18613-2012										
型号 1TL0001-0DB2	2-1JA5-Z	80M	LMH-1107/800003888993/001							
220VΔ/380VY	50 Hz	2.45/1.40 A	EFF. 74.0 %	IP 55	16.5 kg	Q/321081	KJA002-2018			
⊕ 0.55 kW	IM B35	1425 r/min	COSφ 0.80	Th.Cl.155(F)						
驱动端: 6204 2RZ C3		润滑油: 2#中小型电机润滑油		油量: 驱动端45g / 非驱动端30g						
非驱动端: 6204 2RZ C3		润滑周期: 5000h								
西门子电机(中国)有限公司 Siemens Standard Motors Ltd.										

1TL0003 系列电机铭牌

1TL0003 Motor Nameplate

三相异步电动机 THREE-PHASE ASYNCHRONOUS MOTOR 能效等级 GB18613-2012										
型号 0CV3062B	1TL0003-0DB23-3JA5-Z	80M	LMH-1107/800003888993/001							
380VΔ/660VY	50 Hz	14.8/8.5 A	EFF. 90.4 %	IP 55	135 kg	Q/321081	KJA008-2020			
⊕ 7.5 kW	IM B35	1470 r/min	COSφ 0.85	Th.Cl.155(F)						
驱动端: 6204 2RZ C3		润滑油: 2#中小型电机润滑油		油量: 驱动端45g / 非驱动端30g						
非驱动端: 6204 2RZ C3		润滑周期: 5000h								
西门子电机(中国)有限公司 Siemens Standard Motors Ltd.										

轴承系统

1TL0 系列电动机标准配置深沟球轴承或角接触球轴承，这些轴承是密封的或可再润滑型的。

FS80 ~ 160 范围的 1TL0 电动机驱动端与非驱动端轴承浮动；FS180 ~ 355 电动机驱动端轴承浮动，非驱动端轴承固定。

标准配置的轴承可以承受一定的悬臂力，当电动机轴端承受的悬臂力较大时，可以考虑选择增强悬臂力的轴承设计（选项号：L22）。

Bearing system

1TL0 series motors are supplied with the ball bearing as standard. These bearings are either of the sealed or regreasable type.

For FS80 ~ 160, the floating bearings are assembled; for FS180 ~ 355, floating bearing at DE, and fixed bearing at NDE assembled.

The standard bearing can endure a maximum cantilever force, the increased cantilever bearing design (Option code: L22) should be considered.

轴承选配 Bearing Assignment

机座号 Frame size	极数 Pole	标准配置 Standard design			增强悬臂力设计轴承（选项号：L22） Increased cantilever-bearing (Option code:L22)		
		驱动端轴承 DE bearing	非驱动端轴承 (水平安装) NDE bearing (Horizontal mounting)	非驱动端轴承 (立式安装) NDE bearing (Vertical mounting)	驱动端轴承 DE bearing	非驱动端轴承 (水平安装) NDE bearing (Horizontal mounting)	非驱动端轴承 (立式安装) NDE bearing (Vertical mounting)
80	2, 4, 6	6204 2RZ C3	6204 2RZ C3	6204 2RZ C3	—	—	—
90	2, 4, 6	6205 2RZ C3	6205 2RZ C3	6205 2RZ C3	—	—	—
100	2, 4, 6	6206 2RZ C3	6206 2RZ C3	6206 2RZ C3	6306 2RZ C3	6206 2RZ C3	6206 2RZ C3
112	2, 4, 6	6206 2RZ C3	6206 2RZ C3	6206 2RZ C3	6306 2RZ C3	6206 2RZ C3	6206 2RZ C3
132	2, 4, 6, 8	6208 2RZ C3	6208 2RZ C3	6208 2RZ C3	6308 2RZ C3	6208 2RZ C3	6208 2RZ C3
160	2 4, 6, 8	6309 2RZ C3	6209 2RZ C3	6209 2RZ C3	—	—	—
180	2 4, 6, 8	6310 C3	6210 C3	6210 C3	NU310	6210 C3	6210 C3
200	2 4, 6, 8	6312 C3	6212 C3	6212 C3	NU312	6212 C3	6212 C3
225	2 4, 6, 8	6313 C3	6213 C3	6213 C3	NU313	6213 C3	6213 C3
250	2 4, 6, 8	6314 C3	6215 C3	7215 AC	NU314	6213 C3	O.R.
280	2, 4, 6, 8	6317 C3	6217 C3	7217 AC	NU317	6217 C3	O.R.
315	2	6319 C3	6317 C3	7317 AC	NU319	6317 C3	O.R.
	4, 6, 8	6319 C3	6319 C3	7319 AC		6319 C3	
355	2	6319 C3	6319 C3	7319 AC	NU319	6319 C3	O.R.
	4, 6, 8	6322 C3	6322 C3	7322 AC	NU322	6322 C3	O.R.

注：DE 驱动端
NDE 非驱动端
— 不能满足
O.R. 须要特殊询价

Note: DE Driven end
NDE Non driven end
— Not possible
O.R. Possible on request

润滑脂寿命和再润滑周期

对于不可再润滑的轴承，其润滑脂寿命与轴承寿命相当。但是，这只能是在电机严格按照本样本中规定的技术数据运行。

对于以规定间隔再润滑的电机，轴承寿命可以延长，从而补偿不利因素，诸如温度、安装条件、转速、轴承规格和机械载荷造成的影响。

润滑脂寿命和再润滑周期（电动机水平安装）

Grease life (Horizontal installation)

机座号Frame size	极数 Poles	润滑脂寿命Grease lifetime up to CT 40 °C ¹⁾
持久润滑型轴承的润滑脂Grease for permanent lubrication bearing		
80 ~ 160	2, 4, 6, 8	20000 或 (or) 40000 ²⁾
可再润滑型轴承的润滑脂Grease for regreasable bearing		
180 ~ 250	2	4000 小时 (h)
180 ~ 250	4, 6, 8	8000 小时 (h)
280 ~ 315	2	3000 小时 (h)
280 ~ 315	4, 6, 8	5000 小时 (h)
355	2	2000 小时 (h)
355	4, 6, 8	4000 小时 (h)

注：

- ¹⁾ 当环境温度每升高 10 °C，润滑脂寿命以及再润滑时间缩短一半。
- ²⁾ 40000 小时适用于电动机水平安装，且轴不受额外的轴向力影响；

当电动机在非正常的条件下运行时，轴承的寿命会缩短。如下面几种情况：

- 当电动机的运行速度高于额定速度时，由于电动机的振动增大，使得轴承受到额外的径向力和轴向力，导致其寿命减少；
- 当环境或设备等因素引起电动机振动加大时，同样轴承也会因此受到额外的径向力和轴向力，而导致其寿命减少；
- 当环境温度每升高 10°C，润滑脂寿命以及再润滑时间缩短一半。

Grease life and re-greasing interval

For permanent lubrication, the bearing grease lifetime is matched to the bearing lifetime. This can, however, only be achieved if the motor is operated in accordance with the catalog specifications.

For motors which can be regreased at defined regreasing intervals, the bearing lifetime can be extended and/or unfavorable factors such as temperature, mounting conditions, speed, bearing size and mechanical load can be compensated.

Note:

- ¹⁾ If the coolant temperature is increased by 10 K, the grease lifetime and regreasing interval are halved.
- ²⁾ 40000 h apply to horizontally installed motors with coupling output without additional axial loads.

- When motor runs beyond the rated speed, the increase of motor vibration will result in the extra radial and axial force on bearing. This will reduce the life of bearing;
- When the motor vibration increase due to the environment or other equipment, the bearing also will endure more radial and axial force. This also will reduce the life of bearing;
- If the coolant temperature is increased by 10 °C, the grease lifetime and regreasing interval is halved.

接线盒技术参数 Connection boxes technical data

机座号Frame size	接线螺钉螺纹 Contact screw thread	外接电缆直径 (mm) Outer cable diameter (sealing range)	进线孔尺寸Cable entry size
80 ~ 100	M4	10 ~ 14	M24 x 1.5
112 ~ 132	M5	13 ~ 18	M27 x 2 + M27 x 2
160 ~ 180	M5	18 ~ 25	M36 x 2 + M36 x 2
200 ~ 225	M8	22 ~ 32	M48 x 2 + M48 x 2
250	M10	37 ~ 44	M64 x 2 + M64 x 2
280	M10		
315	M12		
355	M16	38 ~ 47	M72 x 2 + M72 x 2

振动

所有电动机转子都使用半键按照 A 级（标准）振动等级进行动态平衡。

电动机在空载时测得振动速度有效值不超过下表中的 A 级所列值。

振动等级	机座号	56 ≤ FS ≤ 132	160 ≤ FS ≤ 280	280 < FS ≤ 355
A	安装方式	振动速度 (mm/s)	振动速度 (mm/s)	振动速度 (mm/s)
	自由悬置	1.6	2.2	2.8
	刚性安装	1.3	1.8	2.3

防潮加热保护

当电动机处于较为恶劣的环境时，比如湿度非常大或者昼夜温差比较大，电动机的绕组很可能出现凝露的现象，这样会带来电动机烧毁的风险。对于这种情况，建议对电动机绕组配置防潮加热带（选件号：Q04）进行保护。

电动机防潮加热带必须在电动机工作过程中处于不工作状态；当电动机停机时，防潮加热带必须启动工作，为绕组加热。防潮加热带的电气参数如下表所示。

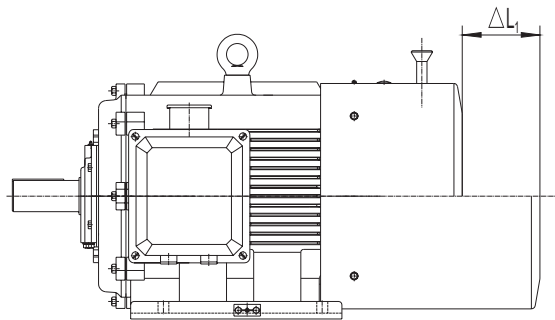
防潮加热带电气参数Electrical data of Anti-condensation heater

机座号Frame size	功率Power (W)	电压Voltage (V)
80 ~ 90	20	220
100 ~ 112	30	220
132 ~ 160	40	220
180 ~ 200	50	220
225 ~ 280	60	220
315	80	220
355	100	220

电磁制动器 Electro-Magnetic Brake

1TL0 系列电动机可附加圆盘型直流电磁制动器，适用于一切要求快速停止、准确定位、往复运转的各种机械。

Disc type DC electro-magnetic brake can be attached to the 1TL0 series of motors, the motors are suitable for all kinds of machines which require fast stop, accurate positioning and reciprocating operation.



制动器技术数据The technical data for the brakes

机座号 Frame size	静制动力矩 (Nm) Static braking torque	空载制动时间 (s) No-load braking time	(开关在直流侧制动器电压) (V) Brake voltage when switch is on the DC side	励磁功率 (W) Excitation power	ΔL ₁ (mm)
80	8	0.2	99	50	70
90	15	0.2	99	60	75
100	30	0.2	99	80	75
112	40	0.25	170	110	75
132	80	0.25	170	130	85
160	150	0.35	170	150	105
180	200	0.35	170	150	100
200	300	0.45	170	200	125
225	450	0.45	170	200	140

Vibration

1TL0 rotors are dynamically balanced to severity grade A using a half key.

Table below contains the effective vibration values for unloaded motors.

Anti-condensation heater

Motors whose windings are at risk of condensation due to the climatic conditions, e.g. inactive motors in humid atmospheres or motors that are subjected to widely fluctuating temperatures can be equipped with anti-condensation heaters (Option code: Q04).

2 auxiliary terminals in connection box are needed.” Anti-condensation heaters must be switched off during operation. When motor shut down, the heaters must be switched on.

Motors whose windings are at risk of condensation due to the climatic conditions, e.g. inactive motors in humid atmospheres or motors that are subjected to widely fluctuating temperatures can be equipped with anti-condensation heaters (Option code: Q04). 2 auxiliary terminals in connection box are needed.” Anti-condensation heaters must be switched off during operation. When motor shut down, the heaters must be switched on.

电气特性

额定输出

1TL0电动机的额定功率是指电动机在连续运行的情况下 S1 (IEC 60034-1)，此时周围环境温度为 $-15\text{ }^{\circ}\text{C} \sim 40\text{ }^{\circ}\text{C}$ ，海拔高度不超过 1000 m。

电压、频率

IEC 60034-1 将电压和频率的偏差分为 A 类（电压偏差 $\pm 5\%$ ，频率偏差 $\pm 2\%$ ）和 B 类（电压偏差 $\pm 10\%$ ，频率偏差 $+3\% / -5\%$ ）。电动机均能够在 A 类和 B 类提供额定转矩。在 A 类中，温度比正常运行下温度大约提升 10 K。

Electrical design

Rated Output

1TL0 motors rated output powers means that the motor runs under continuous duty S1 (IEC 60034 - 1) operation when operated at ambient temperature from $-15\text{ }^{\circ}\text{C}$ to $40\text{ }^{\circ}\text{C}$ and at altitudes of up to 1000 m over sea.

Voltage and Frequency

IEC 60034-1 differentiates between Category A (combination of voltage deviation $\pm 5\%$ and frequency deviation $\pm 2\%$) and Category B (combination of voltage deviation $\pm 10\%$ and frequency deviation $+3\% / -5\%$) for voltage and frequency fluctuations. The motors can supply their rated torque in both Category A and B. In Category A, the temperature rise is approximately 10 K higher than during normal operation.

标准Standard 60034 - 1	类别Category A	类别Category B
电压偏差Voltage deviation	$\pm 5\%$	$\pm 10\%$
频率偏差Frequency deviation	$\pm 2\%$	$+3\% / -5\%$

根据标准，不推荐电动机在 B 类情况下长时间运行
According to the standard, longer operation is not recommended for Category B.

电气数据公差

■ 效率 η

Prated $\leq 150\text{ kW}$: $-0.15 \times (1 - \eta)$

Prated $> 150\text{ kW}$: $-0.10 \times (1 - \eta)$

效率 η 为小于 1 的值

■ 功率因数: $(1 - \cos \phi) / 6$

最小绝对值: 0.02

最大绝对值: 0.07

■ 转差率: $\pm 20\%$ (电动机的偏差 $< 1\text{ kW} \pm 30\%$ 时是允许的)

■ 堵转电流: $+20\%$

■ 堵转转矩: $-15\% \sim +25\%$

■ 最大转矩: -10%

■ 转动惯量: $\pm 10\%$

Tolerance for electrical data

■ Efficiency η at

Prated $\leq 150\text{ kW}$: $-0.15 \times (1 - \eta)$

Prated $> 150\text{ kW}$: $-0.10 \times (1 - \eta)$

With η being a decimal number

■ Power factor - $(1 - \cos \phi) / 6$

Minimum absolute value: 0.02

Maximum absolute value: 0.07

■ Slip $\pm 20\%$ (for motors $< 1\text{ kW} \pm 30\%$ is admissible)

■ Locked-rotor current $+20\%$

■ Locked-rotor torque -15% to $+25\%$

■ Breakdown torque -10%

■ Moment of inertia $\pm 10\%$

变频应用

1TL0 电动机适于变转速、恒转速的各种应用，如风机、泵、压缩机、纺织机械等。

1TL0 电动机的标准绝缘系统设计要求，能够保证其在变频器供电电压不超过 460 V 时正常运行。

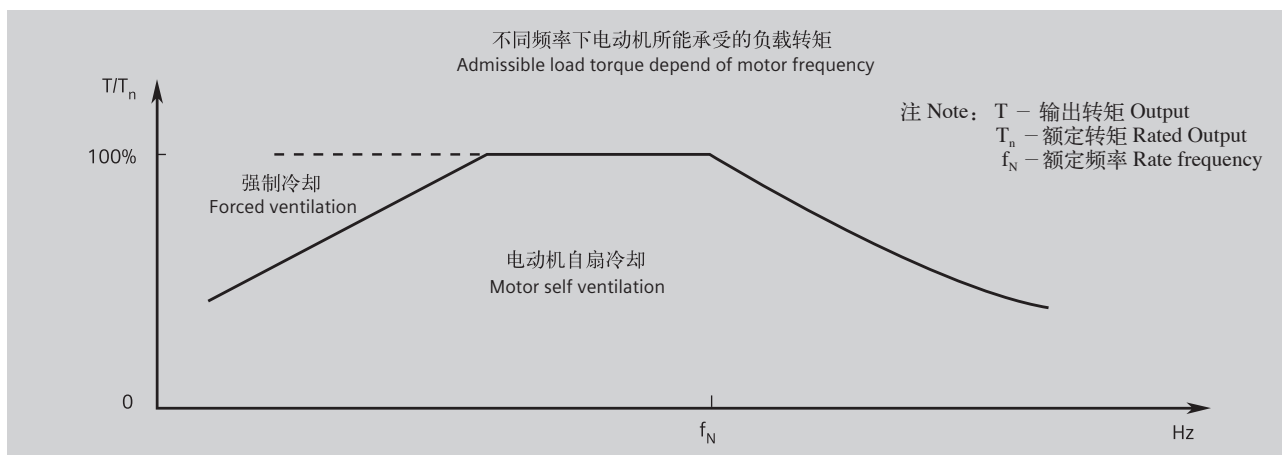
1TL0 电动机带有特定的负载时能够使用变频器驱动，其特定的负载扭矩如以下图表所示：

Converter fed application

1TL0 motors are suitable for pumps, fans, compressors, textile machine and mechanical machine applications where variable or constant speed is required.

The standard insulation of the 1TL0 motors is designed such that operation is possible on the converter at mains voltage up to 460 V.

1TL0 motors are capable for converter-fed operation with certain characteristics load, of which the load torque characteristics is referred in the following diagram:



当变频器驱动电动机时，电磁干扰的程度大小取决于变频器的类型（种类，IGBT 数量，干扰控制措施及制造商）、布线、距离以及应用需求。在设计和应用阶段必须参考变频器制造商关于电磁兼容性的安装指导。

当 1TL0 电动机变频应用（变频器供电），且输出额定功率时，电动机的使用温度等级为 155 (F)。为了避免杂散电流对电动机轴承的损坏，推荐 FS250 ~ 355 电动机使用绝缘轴承。请向西门子咨询关于绝缘轴承的详细信息。

当负载扭矩在允许的扭矩范围内时，电动机能够自扇冷

In application where the motor is driven by a converter, the degree of electrical interference depends on the type of converter used (type, number of IGBTs, interference suppression measures, and manufacturer), cabling, distance and application requirements. The installation guidelines of the converter manufacturer with regards to electromagnetic compatibility must be considered at all times during the design and implementation phases.

At rated output with converter fed operation, the motors will be used in temperature class 155 (F). To prevent damage as a result of bearing currents, insulated bearings are recommended to be assembled for frame size 250 and above. Please inquire Siemens about the detailed information of insulated bearing.

却；当负载转矩超过所允许的转矩时，电动机需要强迫冷却。

在电动机运行速度超过额定转速时，噪声和振动值将增加，并且轴承的寿命将缩短。需要注意再润滑周期和润滑脂的寿命。

By usage with admissible torque and below, the motor can be operated with self cooling; by usage over the admissible torque line, the motor with forced ventilation is needed.

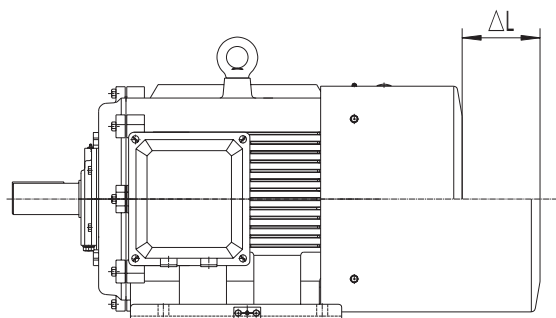
At operating speeds above rated speed the noise and vibration levels increase and the bearing life time reduce. Attention should be paid to the re-greasing intervals and the grease service life.

1TLO 电动机所允许的最大安全转速如下表

The allowed maximum safe operating speed of 1TLO motors shows the diagram

机座号 Frame size	2 极 2 pole		4 极 4 pole		6 极 6 pole		8 极 8 pole	
	最高转速 Max.rpm	最大频率 fmax	最高转速 Max.rpm	最大频率 fmax	最高转速 Max.rpm	最大频率 fmax	最高转速 Max.rpm	最大频率 fmax
80	5200	87	3600	120	2400	120	1800	120
90	5200	87	3600	120	2400	120	1800	120
100	5200	87	3600	120	2400	120	1800	120
112	5200	87	3600	120	2400	120	1800	120
132	4500	75	2700	90	2400	120	1800	120
160	4500	75	2700	90	2400	120	1800	120
180	4500	75	2700	90	2400	120	1800	120
200	4500	75	2300	77	1800	90	1400	93
225	3600	60	2300	77	1800	90	1400	93
250	3600	60	2300	77	1800	90	1400	93
280	3600	60	2300	77	1800	90	1400	93
315	3600	60	2300	77	1800	90	1400	93
355	3600	60	2300	77	1800	90	1400	93

独立驱动风扇技术参数 Technical data for separately fan



独立驱动风扇技术参数 Technical data for separately fan

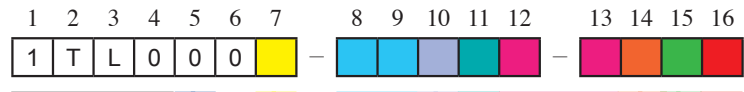
对应电动机机座号 Motor frame size	额定电压 (V) rated voltage	额定频率 (Hz) Rated frequency	功率 (W) Rated output	电流 (A) Current	转速 (r/min) Speed	Δ L
80	220D/380Y	50	30	0.14/0.08	2800	60
90		50	30	0.14/0.08	2800	75
100		50	52	0.21/0.12	2800	70
112		50	52	0.21/0.12	2800	80
132		50	45	0.35/0.2	1400	75
160		50	45	0.35/0.2	1400	45
180		50	120	1.04/0.6	1400	55
200		50	120	1.04/0.6	1400	60
225		50	120	1.04/0.6	1400	70
250		50	230	1.73/1.0	1400	65
280		50	230	1.73/1.0	1400	105
315		50	370	1.91/1.1	1250	95
355		50	550	2.18/1.26	1350	100

注： 风扇可以在 210 ~ 240VD/360 ~ 420VY 50Hz 电源供电下运行，也可以在 220 ~ 260VD/380 ~ 480VY 60Hz 电源供电下运行。其他电源供电，须特殊询价。

Note: The fan can be running with supply 210 ~ 240VD/360 ~ 420VY 50Hz, and also 220 ~ 260VD/380 ~ 480VY 60Hz. Other voltage supply, possible on request.

型号与订货号 Motor Type and Order No.

电动机订货号¹⁾



低压系列电动机 Low-voltage motor series

0= 铸铁壳
0=Cast Iron

效率等级 Efficiency Grade

1 = IE2, 中国能效等级 3 级 China Energy Efficiency Grade3
3 = IE3, 中国能效等级 2 级 China Energy Efficiency Grade2

机座号编号 Code of frame size

0D = 080 / 0E = 090
1A = 100 / 1B = 112 / 1C = 132 / 1D = 160 / 1E = 180
2A = 200 / 2B = 225 / 2C = 250 / 2D = 280
3A = 315 / 3B = 355

极数编号 Code of poles

A = 2 / B = 4 / C = 6 / D = 8

机座长度编号 Code of frame length

0 or 1 = S (short) / 2 or 3 or 4 = M (medium) / 4 or 5 or 6 or 7 = L (long)

电压, 连接方式和频率编号 Code of voltage, connections and frequency

04 = 400VD 50Hz
22 = 230VD / 400VY 50Hz 35 = 415VD 50Hz
21 = 220VD / 380VY 50Hz 23 = 240VD / 415VY 50Hz 90¹⁾ = 特殊电压与频率 special voltage & frequency
33 = 380VD / 660VY 50Hz 34 = 400VD / 690VY 50Hz

结构和安装方式编号 Code of Construction and mounting type

T³⁾ = IM B6
A^{2) 3)} = IM B3 U³⁾ = IM B7 W^{3) 8)} = IM V15 M^{3) 6) 7) 8)} = IM V18
J³⁾ = IM B35 V³⁾ = IM B8 Y³⁾ = IM V35 L^{3) 8)} = IM V19
F^{3) 4) 6)} = IM B5 C^{3) 8)} = IM V5 G^{3) 6) 8)} = IM V1 N^{3) 7)} = IM B34
K^{3) 5) 6) 7)} = IM B14 D³⁾ = IM V6 H^{3) 6)} = IM V3

绕组保护编号 Code of winding protection

A = 无绕组保护 without winding protection
B⁹⁾ = 绕组带 3 个 PTC 热敏电阻用于跳闸 3 PTC thermistors for tripping
C⁹⁾ = 绕组带 6 个 PTC 热敏电阻用于报警和跳闸 6 PTC thermistors for alarm and tripping
H⁹⁾¹⁰⁾ = 绕组带 3 个 Pt100 测温元件 3 resistance thermometers Pt100
J⁹⁾¹⁰⁾ = 绕组带 6 个 Pt100 测温元件 6 resistance thermometers Pt100
Z¹²⁾ = 其他绕组保护 Other temperature for winding protection

接线盒位置编号 (从驱动端看) Code location of connection box (view from drive end)

4 = 顶端出线 top / 5 = 右端出线 on RHS / 6 = 左端出线 on LHS

附注:

- 1) 用电压编号 90 及相应选件号来定制其它电压 (参见选件描述) ;
- 2) 当电动机不要求带冷凝水排放孔 (订货号: H03) 时, IM B3 安装结构型式也可适用于 IM B6/7/8 (机座号 80 ~ 160)、不带防护罩的 IM V6 和 IM V5 安装结构型式 (机座号 80 ~ 160), 但电动机铭牌上只标示 IM B3 安装结构型式, 不标示其他安装结构型式;
- 3) 铭牌上标有指定的安装结构型式;
- 4) 当电动机不要求带冷凝水排放孔, IM B5 安装型式也可适用于不带防护罩的 IM V1 和 IM V3 安装结构型式 (机座号 80~160), 但电动机铭牌上只标示 IM B5 安装结构型式, 不标示其他安装结构型式;
- 5) 当电动机不要求带冷凝水排放孔 (订货号: H03) 时, IM B14 安装结构型式也可适用于不带防护罩的 IM V18 和 IM V19 安装结构型式, 但电动机铭牌上只标示 IM B14 安装结构型式, 不标示其他安装结构型式;
- 6) 对于 IM B5、IM V1、IM V3、IM B14、IM V18 和 IM V19 安装结构型式电动机, 须指定电动机订货号第 16 位数字为“4”;
- 7) 只适用于 FS80 ~ 112;
- 8) 电动机标配无防雨罩, 但如需要加带防雨罩用于防护时, 须订购选件号 H00;
- 9) 选择此选件, 接线盒将更改为铸铁壳。
- 10) 仅适用于机座号 100-355。
- 11) 请向西门子另行咨询

Foot note:

- 1) Order other voltages with voltage code 90 and the corresponding Option code (see under "Option") .
- 2) The types of construction IM B6/7/8(FS80~160), IM V6 and IM V5(FS80~160) without protective cover are also possible as long as no condensation drainage holes (Order code: H03) and no stamping of these types of construction on the rating plate are required. As standard, the type of construction IM B3 is then stamped on the rating plate.
- 3) The type of mounting construction is stamped on the rating plate.
- 4) The types of construction IM V1 and IM V3 without protective cover(FS80~160) are also possible as long as no condensation drainage holes and no stamping of these types of construction on the rating plate are required. As standard, the type of construction IM B5 is then stamped on the rating plate.
- 5) The types of construction IM V18 and IM V19 without protective cover are also possible as long as no condensation drainage holes (Order code: H03) and no stamping of these types of construction on the rating plate are required. As standard, the type of construction IM B14 is then stamped on the rating plate.
- 6) For motor with IM B5, IM V1, IM V3, IM B14, IM V18 and IM V19 construction and mounting type, the 16th digit of motor order No. must be "4";
- 7) Only for FS80 ~ 112.
- 8) Without canopy, for protective cover with canopy needed Option code H00.
- 9) Choose this option, the connection box will be changed to cast iron.
- 10) Only applicable for frame size 100-355.
- 11) Please specially consult with Siemens.

订货号样例:

IE2 效率等级低压三相异步电动机
 4 极, 15 kW, IM B3, 380VD / 660VY 50 Hz, IP55, 接线盒位置处于右侧, 进线孔向下 (从驱动端看)。
 电动机订货号: 1TL0001-1DB43-3AA5

Order No. example:

Low voltage three phase asynchronous motor
 4-pole, 15 kW, IM B3, 380VD/660VY 50 Hz, IP55, connection box at right side and cable entry at bottom (view from DE)
 Motor order code: 1TL0001-1DB43-3AA5

1	T	L	0	0	0	1	-	1	D	B	4	3	-	3	A	A	5
---	---	---	---	---	---	---	---	---	---	---	---	---	---	---	---	---	---

IE2 效率等级铸铁低压三相异步电动机 Efficiency Grade IE2 Cast Iron Low-voltage Three-phase Motor																	
机座号 Frame size: 160																	
极数 Poles: 4																	
铁心长度 Iron core length: 长机座 (L)																	
电压, 连接方式和频率 Voltage, connection method and frequency: 380VD/660VY 50Hz																	
结构型式 Construction: IM B3																	
绕组保护 Winding protection None: 无																	
接线盒位置 Connection box position at right side: 右侧																	

	电动机型号 ¹⁾			Motor type				
	1	2	3	4	5	6	7	8
0	C	V	3	□	□	□	□	□
亚太系列 Asia pacific								
机壳材料 Housing material C = 铸铁 Cast iron								
冷却方式 Cooling method V = 空冷 ventilated								
能效等级, Energy efficiency grade 3 = 中国能效等级 2 级, IE3 效率等级 3 = China energy efficiency grade 2, IE3 efficiency								
机座号 Frame size 08 = 80; 09 = 90; 10 = 100; 11 = 112; 13 = 132; 16 = 160; 18 = 180; 20 = 200; 22 = 225; 25 = 250; 28 = 280; 31 = 315; 35 = 355								
铁心长 Core length								
极数 Poles A = 2; B = 4; C = 6;								

¹⁾ 电机型号仅适用于 1TL0003 系列电机

¹⁾ Motor type is only applicable for 1TL0003 series motors.

选型技术数据表 Technical data table

铸铁壳系列电机 Cast Iron Motors

中国能效等级3级, IE2

机座号 Frame Size	额定 功率 Rate Output 50 Hz	型号 Order No.	额定 转速 Rated Speed	效率 — 参照 GB18613-2012 效率等级 3 Efficiency is in accordance with the efficiency level 3 of GB18613-2012				额定 转矩 Rated torque	起动 电流 / 额定 电流 Starting current /Rated current	起动 转矩 / 额定 转矩 Starting torque/ Rated torque	最大 转矩 / 额定 转矩 Max torque / Rated torque	转动 惯量 Moment of Inertia	重量 IMB3 Weight	噪声 Noise
				效率 (100% 负载) Efficiency at (50 HZ) 4/4 load	效率 (75% 负载) Efficiency at (50 HZ) 3/4 load	功率 因数 Power factor	额定 电流 Rated current							
	kW		rpm	%	%		A	Nm	直接起动对额定转矩 (电流) 的倍数 Direct start to rated torque (current) multiples			kgm ²	kg	L _p IA
3000rpm 2 极 2-pole														
220V / 380V 50HZ														
80M	0.75	1TL0001-0DA22-1 □□□□	2795	77.4	78.5	0.84	1.75	2.6	5.6	2.4	2.4	0.00080	13.5	53
80M	1.1	1TL0001-0DA32-1 □□□□	2835	79.6	80.6	0.84	2.50	3.7	6	2.8	3.2	0.0012	15.0	53
90S	1.5	1TL0001-0EA02-1 □□□□	2890	81.3	81.7	0.84	3.35	5.0	6.5	2.4	3.1	0.0021	19.0	60
90L	2.2	1TL0001-0EA42-1 □□□□	2890	83.2	83.7	0.85	4.75	7.3	7.2	2.6	3.5	0.0026	23	60
100L	3	1TL0001-1AA42-1 □□□□	2885	84.6	85.1	0.84	6.4	9.9	7.5	4	4.5	0.0036	30	62
3000rpm 2 极 2-pole														
380V / 660V 50HZ														
112M	4	1TL0001-1BA23-3 □□□□	2930	85.8	86.6	0.86	8.2	13.0	7.5	2.2	2.9	0.0064	37	63
132S	5.5	1TL0001-1CA03-3 □□□□	2930	87	87.6	0.87	11.0	17.9	7.5	2.2	2.9	0.014	54	69
132S	7.5	1TL0001-1CA13-3 □□□□	2930	88.1	88.8	0.89	14.5	24.4	7.5	2.3	2.9	0.017	59	69
160M	11	1TL0001-1DA23-3 □□□□	2935	89.4	90.1	0.86	21.5	35.8	7.5	2.2	2.9	0.031	93	71
160M	15	1TL0001-1DA33-3 □□□□	2935	90.3	91	0.86	29.5	48.8	7.5	2.4	3.2	0.038	103	71
160L	18.5	1TL0001-1DA43-3 □□□□	2935	90.9	91.7	0.89	34.5	60.2	7.5	2.4	3.2	0.046	118	71
180M	22	1TL0001-1EA23-3 □□□□	2935	91.3	91.8	0.87	42.0	71.6	7.6	2.5	3.2	0.072	151	72
200L	30	1TL0001-2AA43-3 □□□□	2955	92	92.3	0.86	58	97.0	7.5	2.5	3.2	0.13	215	74
200L	37	1TL0001-2AA53-3 □□□□	2955	92.5	92.8	0.88	69	119.6	7.5	2.5	3.2	0.15	240	74
225M	45	1TL0001-2BA23-3 □□□□	2965	92.9	93.1	0.88	84	144.9	7.9	2.5	3.1	0.24	277	75
250M	55	1TL0001-2CA23-3 □□□□	2970	93.2	93.2	0.88	102	176.9	7.5	2.5	3	0.42	309	75
280S	75	1TL0001-2DA03-3 □□□□	2975	93.8	93.8	0.87	140	240.8	7.5	2.8	3	0.75	470	77
280M	90	1TL0001-2DA23-3 □□□□	2978	94.1	94.1	0.87	167	288.6	7.5	3	3.1	0.88	520	77
315S	110	1TL0001-3AA03-3 □□□□	2982	94.3	94.3	0.90	197	352.3	7.5	2.2	2.6	1.4	750	81
315M	132	1TL0001-3AA23-3 □□□□	2982	94.6	94.6	0.91	235	422.7	7.5	2.3	2.9	1.7	905	81
315L	160	1TL0001-3AA53-3 □□□□	2982	94.8	95.1	0.92	280	512.4	7.5	2.5	2.8	1.9	945	81
315L	185	1TL0001-3AA63-3 □□□□	2982	95	95.3	0.92	320	592.5	7.5	2.5	2.8	2.3	1060	81
315L	200	1TL0001-3AA73-3 □□□□	2982	95	95.3	0.92	350	640.5	7.5	2.5	2.8	2.3	1070	81
355M	220	1TL0001-3BA23-3 □□□□	2985	95.0	94.7	0.90	390	704	7.0	2.0	2.6	2.5	1400	86
355M	250	1TL0001-3BA33-3 □□□□	2985	95.0	94.7	0.90	445	800	7.4	2.3	2.8	2.7	1460	86
355L	280	1TL0001-3BA53-3 □□□□	2985	95.0	95.1	0.91	490	896	7.0	2.2	2.6	3.0	1540	88
355L	315	1TL0001-3BA63-3 □□□□	2985	95.0	95.0	0.91	550	1008	7.4	2.5	2.8	3.3	1670	88

注:

¹⁾ 关于其他电压与频率、绕组保护及接线盒位置的编码, 请见第 14 页“订货号”部分;

²⁾ 噪声值仅适用于电动机在 50 Hz 电源直接供电且空载运行时的情况, 容差为 +3 dB。

Note:

¹⁾ About the code of other voltage and frequency, winding protection and connection box position, please refer to Orde No. in page 14.

²⁾ Noise value is only applicable to the direct power supply of the motor in 50Hz power supply and the condition of no-load operation, the tolerance is +3dB.

选型技术数据表 Technical data table

铸铁壳系列电机 Cast Iron Motors

中国能效等级3级, IE2

机座号 Frame Size	额定 功率 Rate Output 50 Hz	型号 Order No.	额定 转速 Rated Speed	效率 — 参照 GB18613-2012 效率等级 3 Efficiency is in accordance with the efficiency level 3 of GB18613-2012				额定 转矩 Rated torque	起动 电流 / 额定 电流 Starting current /Rated current	起动 转矩 / 额定 转矩 Starting torque/ Rated torque	最大 转矩 / 额定 转矩 Max torque / Rated torque	转动 惯量 Moment of Inertia	重量 IMB3 Weight	噪声 Noise
				效率 (100% 负载) Efficiency at (50 HZ) 4/4 load	效率 (75% 负载) Efficiency at (50 HZ) 3/4 load	功率 因数 Power factor	额定 电流 Rated current							
	kW		rpm	%	%		A	Nm	直接起动对额定转矩 (电流) 的倍数 Direct start to rated torque (current) multiples			kgm ²	kg	L _p dBA
1500rpm 4 极 4-pole														
220VD / 380VY 50HZ														
80M	0.55	1TL0001-0DB22-1 □□□□	1425	74.0	74.7	0.8	1.40	3.7	6	2	2.7	0.0021	14.0	45
80M	0.75	1TL0001-0DB32-1 □□□□	1440	79.6	79.6	0.75	1.90	5.0	6.5	2.8	3.5	0.0027	15.5	45
90S	1.1	1TL0001-0EB02-1 □□□□	1440	81.4	81.4	0.75	2.75	7.3	7	2.8	3.5	0.0041	20	47
90L	1.5	1TL0001-0EB42-1 □□□□	1435	82.8	82.8	0.76	3.60	9.9	7	3	3.8	0.0047	23	47
100L	2.2	1TL0001-1AB42-1 □□□□	1435	84.3	85	0.79	5.0	14.6	7	3	3.2	0.0081	30	55
100L	3	1TL0001-1AB52-1 □□□□	1435	85.5	86.3	0.79	6.7	20.0	7	3	3.2	0.010	33	55
1500rpm 4 极 4-pole														
380VD / 660VY 50HZ														
112M	4	1TL0001-1BB23-3 □□□□	1445	86.6	87.1	0.79	8.9	26.4	7.1	2.7	3.1	0.011	42	55
132S	5.5	1TL0001-1CB03-3 □□□□	1460	87.7	88.2	0.79	12.1	36.0	7.5	2.5	3.1	0.021	58	57
132M	7.5	1TL0001-1CB23-3 □□□□	1460	88.7	89.4	0.82	15.7	49.1	7.7	2.7	3.2	0.029	72	57
160M	11	1TL0001-1DB23-3 □□□□	1465	89.8	90.4	0.84	22.0	71.7	7.5	2.5	3.1	0.051	99	60
160L	15	1TL0001-1DB43-3 □□□□	1465	90.6	91.3	0.85	29.5	97.8	7.8	2.7	3.2	0.066	120	60
180M	18.5	1TL0001-1EB23-3 □□□□	1465	91.2	91.8	0.85	36.5	120.6	7.3	2.5	3.2	0.13	163	61
180L	22	1TL0001-1EB43-3 □□□□	1465	91.6	92.3	0.85	43.0	143.4	7.3	2.4	3.2	0.14	182	64
200L	30	1TL0001-2AB43-3 □□□□	1470	92.3	92.9	0.85	58	194.9	7.3	2.7	3.2	0.22	227	67
225S	37	1TL0001-2BB03-3 □□□□	1475	92.7	93.2	0.86	71	239.6	7.3	2.7	3.2	0.45	262	67
225M	45	1TL0001-2BB23-3 □□□□	1475	93.1	93.5	0.87	84	291.4	7.3	2.7	3.2	0.51	284	67
250M	55	1TL0001-2CB23-3 □□□□	1480	93.5	93.9	0.86	104	354.9	7.5	3.1	3.5	0.80	330	68
280S	75	1TL0001-2DB03-3 □□□□	1485	94	94.3	0.87	139	482.3	7.5	2.7	3.1	1.4	510	70
280M	90	1TL0001-2DB23-3 □□□□	1485	94.2	94.3	0.87	167	578.8	7.5	2.7	3.1	1.5	555	70
315S	110	1TL0001-3AB03-3 □□□□	1488	94.5	94.5	0.86	205	706.0	7.3	2.8	2.9	2.2	750	72
315M	132	1TL0001-3AB23-3 □□□□	1486	94.7	94.7	0.88	240	848.3	7.3	2.5	2.7	2.5	880	72
315L	160	1TL0001-3AB53-3 □□□□	1488	94.9	94.9	0.88	290	1026.9	7.4	3	2.9	3.0	965	72
315L	185	1TL0001-3AB63-3 □□□□	1488	95.1	95.1	0.88	335	1187.3	7.4	3	3	3.6	1060	74
315L	200	1TL0001-3AB73-3 □□□□	1488	95.1	95.1	0.88	365	1283.6	7.4	3	3	3.7	1080	74
355M	220	1TL0001-3BB23-3 □□□□	1490	95.1	95.2	0.89	395	1411	6.9	1.7	2.5	4.9	1580	82
355M	250	1TL0001-3BB33-3 □□□□	1490	95.1	95.2	0.89	450	1604	6.9	1.8	2.5	5.0	1630	82
355L	280	1TL0001-3BB53-3 □□□□	1490	95.1	95.3	0.89	500	1795	7.0	1.9	2.7	5.3	1680	85
355L	315	1TL0001-3BB63-3 □□□□	1490	95.1	95.2	0.89	570	2019	7.0	1.9	2.7	5.7	1760	85

注:

¹⁾ 关于其他电压与频率、绕组保护及接线盒位置的编码, 请见第 14 页“订货号”部分;

²⁾ 噪声值仅适用于电动机在 50 Hz 电源直接供电且空载运行时的情况, 容差为 +3 dB。

Note:

¹⁾ About the code of other voltage and frequency, winding protection and connection box position, please refer to Orde No. in page 14.

²⁾ Noise value is only applicable to the direct power supply of the motor in 50Hz power supply and the condition of no-load operation, the tolerance is +3dB.

选型技术数据表 Technical data table

铸铁壳系列电机 Cast Iron Motors

中国能效等级3级, IE2

机座号 Frame Size	额定 功率 Rate Output 50 Hz	型号 Order No.	额定 转速 Rated Speed	效率 — 参照 GB18613-2012 效率等级 3 Efficiency is in accordance with the efficiency level 3 of GB18613-2012				额定 转矩 Rated torque	起动 电流 / 额定 电流 Starting current /Rated current	起动 转矩 / 额定 转矩 Starting torque/ Rated torque	最大 转矩 / 额定 转矩 Max torque / Rated torque	转动 惯量 Moment of Inertia	重量 IMB3 Weight	噪声 Noise
				效率 (100% 负载) Efficiency at (50 HZ) 4/4 load	效率 (75% 负载) Efficiency at (50 HZ) 3/4 load	功率 因数 Power factor	额定 电流 Rated current							
1000rpm 6极 6-pole														
220VD / 380VY 50HZ														
80M	0.55	1TL0001-0DC32-1 □□□□	895	71	72	0.76	1.55	5.9	4.5	2.3	2.3	0.0028	16.0	44
90S	0.75	1TL0001-0EC02-1 □□□□	935	75.9	76.5	0.71	2.10	7.7	5	2.1	2.6	0.0038	20	48
90L	1.1	1TL0001-0EC42-1 □□□□	945	78.1	78.1	0.71	3.00	11.1	5.5	2.4	2.8	0.0046	24	48
100L	1.5	1TL0001-1AC42-1 □□□□	945	79.8	80.1	0.74	3.85	15.2	5.5	2.4	2.9	0.0086	31	54
112M	2.2	1TL0001-1BC22-1 □□□□	950	81.8	82.5	0.73	5.6	22.1	5.5	2.6	3.3	0.012	41	54
132S	3	1TL0001-1CC02-1 □□□□	960	83.3	84.3	0.73	7.5	29.8	6	2	2.2	0.019	54	56
1000rpm 6极 6-pole														
380VD / 660VY 50HZ														
132M	4	1TL0001-1CC23-3 □□□□	960	84.6	85.4	0.73	9.8	39.8	6.2	2.2	2.5	0.024	65	56
132M	5.5	1TL0001-1CC33-3 □□□□	960	86	86.6	0.75	13.0	54.7	6.4	2.4	2.6	0.031	73	56
160M	7.5	1TL0001-1DC23-3 □□□□	975	87.2	87.9	0.77	17.0	73.5	6.4	2.1	2.6	0.1069	103	61
160L	11	1TL0001-1DC43-3 □□□□	975	88.7	89.4	0.78	24.0	108	6.4	2.1	2.6	0.14	120	61
180L	15	1TL0001-1EC43-3 □□□□	975	89.7	90.4	0.78	32.5	146.9	6.5	2.3	3	0.18	163	61
200L	18.5	1TL0001-2AC43-3 □□□□	975	90.4	91	0.81	38.5	181.2	6.5	2.3	2.8	0.27	210	65
200L	22	1TL0001-2AC53-3 □□□□	975	90.9	91.4	0.82	45.0	215.5	6.5	2.3	2.8	0.32	228	65
225M	30	1TL0001-2BC23-3 □□□□	980	91.7	92.3	0.83	60	292.3	6.5	2.2	2.8	0.62	282	65
250M	37	1TL0001-2CC23-3 □□□□	982	92.2	92.8	0.83	73	359.8	7	2.5	2.8	0.91	332	65
280S	45	1TL0001-2DC03-3 □□□□	985	92.7	93.3	0.85	87	436.3	7.5	2.5	2.8	1.2	437	65
280M	55	1TL0001-2DC23-3 □□□□	986	93.1	93.7	0.85	106	532.7	7.5	2.5	2.8	1.5	485	65
315S	75	1TL0001-3AC03-3 □□□□	986	93.7	94.3	0.85	143	726.4	7.3	2.3	2.8	2.3	690	66
315M	90	1TL0001-3AC23-3 □□□□	986	94	94.5	0.85	171	871.7	7.3	2.3	2.8	2.8	830	66
315L	110	1TL0001-3AC53-3 □□□□	988	94.3	94.7	0.86	205	1063.3	7.5	2.4	2.8	3.9	965	68
315L	132	1TL0001-3AC63-3 □□□□	988	94.6	95	0.86	245	1275.9	7.5	2.5	3	4.3	1010	68
355M	160	1TL0001-3BC23-3 □□□□	991	94.8	95.4	0.87	295	1542	7.0	2.4	2.2	8.9	1610	72
355M	185	1TL0001-3BC33-3 □□□□	991	95.0	95.5	0.87	340	1783	7.1	2.6	2.6	9.4	1750	72
355M	200	1TL0001-3BC43-3 □□□□	991	95.0	95.5	0.87	370	1930	7.1	2.6	2.6	10.5	1750	75
355L	220	1TL0001-3BC53-3 □□□□	991	95.0	95.5	0.87	405	2121	7.6	2.6	2.6	11.5	1850	75
355L	250	1TL0001-3BC63-3 □□□□	992	95.0	95.4	0.87	460	2408	7.8	2.8	2.7	12.9	1930	75

注:

¹⁾ 关于其他电压与频率、绕组保护及接线盒位置的编码, 请见第 14 页“订货号”部分;

²⁾ 噪声值仅适用于电动机在 50 Hz 电源直接供电且空载运行时的情况, 容差为 +3 dB。

Note:

¹⁾ About the code of other voltage and frequency, winding protection and connection box position, please refer to Orde No. in page 14.

²⁾ Noise value is only applicable to the direct power supply of the motor in 50Hz power supply and the condition of no-load operation, the tolerance is +3dB.

选型技术数据表 Technical data table

铸铁壳系列电机 Cast Iron Motors

中国能效等级3级, IE2

机座号 Frame Size	额定 功率 Rate Output 50 Hz	型号 Order No.	额定 转速 Rated Speed	效率 — 参照 GB18613-2012 效率等级 3 Efficiency is in accordance with the efficiency level 3 of GB18613-2012				额定 转矩 Rated torque	起动 电流 / 额定 电流 Starting current /Rated current	起动 转矩 / 额定 转矩 Starting torque/ Rated torque	最大 转矩 / 额定 转矩 Max torque / Rated torque	转动 惯量 Moment of Inertia	重量 IMB3 Weight	噪声 Noise
				效率 (100% 负载) Efficiency at (50 HZ) 4/4 load	效率 (75% 负载) Efficiency at (50 HZ) 3/4 load	功率 因数 Power factor	额定 电流 Rated current							
750rpm 8极 8-pole														
220VD/380VY 50HZ														
132S	2.2	1TL0001-1CD02-1 □□□□	700	77.6	78.3	0.70	6.2	29.2	4.6	1.9	3	0.022	72	51
132M	3	1TL0001-1CD22-1 □□□□	700	80.0	80.3	0.75	7.6	40	4.8	2	3	0.037	70	51
750rpm 8极 8-pole														
380VD/660VY 50HZ														
160M	4	1TL0001-1DD23-3 □□□□	730	81.9	82.1	0.66	11.2	52	4.9	1.8	2.8	0.051	105	55
160M	5.5	1TL0001-1DD33-3 □□□□	720	83.8	84.1	0.68	14.7	73	4.6	1.5	2.0	0.051	103	55
160L	7.5	1TL0001-1DD43-3 □□□□	725	85.3	85.5	0.67	19.9	99	5	1.7	2.3	0.067	127	55
180L	11	1TL0001-1ED43-3 □□□□	715	86.9	87.2	0.75	25.5	147	5	2.1	2.6	0.20	163	59
200L	15	1TL0001-2AD53-3 □□□□	715	88.0	88.1	0.78	33.0	200	6	2.3	2.9	0.35	233	60
225S	18.5	1TL0001-2BD03-3 □□□□	729	88.6	88.9	0.77	41.0	240	6.6	2.4	3	0.48	246	63
225M	22	1TL0001-2BD23-3 □□□□	728	89.1	89.4	0.79	47.5	290	7	2.7	2.8	0.56	286	63
250M	30	1TL0001-2CD23-3 □□□□	732	89.8	90.0	0.81	63	390	6.3	2.2	2.7	0.94	330	59
280S	37	1TL0001-2DD03-3 □□□□	736	90.3	90.4	0.78	80	480	6.5	2.5	2.7	1.2	427	59
280M	45	1TL0001-2DD23-3 □□□□	738	90.7	90.8	0.79	94	582	6.3	2.2	2.7	1.5	485	59
315S	55	1TL0001-3AD03-3 □□□□	740	91.0	91.1	0.81	113	710	6.2	2	2.9	2.1	665	69
315M	75	1TL0001-3AD23-3 □□□□	738	91.6	92.1	0.81	154	970	6.7	2.2	2.5	2.6	845	69
315L	90	1TL0001-3AD53-3 □□□□	738	91.9	92.5	0.83	179	1165	5.9	1.8	2.3	3.3	890	69
315L	110	1TL0001-3AD63-3 □□□□	741	92.3	92.6	0.83	220	1418	7.1	2.3	3	4.2	1040	69
355M	132	1TL0001-3BD23-3 □□□□	743	92.6	93.2	0.81	265	1699	7.1	2.2	2.4	8.2	1530	77
355M	160	1TL0001-3BD33-3 □□□□	742	93.0	93.5	0.82	320	2059	7.1	2.2	2.4	9.6	1650	77
355L	185	1TL0001-3BD53-3 □□□□	742	93.3	93.9	0.84	360	2382	7.1	2.0	2.1	11.4	1820	77
355L	200	1TL0001-3BD63-3 □□□□	742	93.5	94.0	0.84	385	2576	7.4	2.0	2.1	12.7	1930	77

注:

¹⁾ 关于其他电压与频率、绕组保护及接线盒位置的编码, 请见第 14 页“订货号”部分;

²⁾ 噪声值仅适用于电动机在 50 Hz 电源直接供电且空载运行时的情况, 容差为 +3 dB。

Note:

¹⁾ About the code of other voltage and frequency, winding protection and connection box position, please refer to Orde No. in page 14.

²⁾ Noise value is only applicable to the direct power supply of the motor in 50Hz power supply and the condition of no-load operation, the tolerance is +3dB.

选型技术数据表 Technical data table

铸铁壳系列电机 Cast Iron Motors

中国能效等级2级, IE3

机座号 Frame Size	额定 功率 Rate Output 50 Hz	电动机 型号	订货号 Order No.	额定 转速 Rated Speed	效率 — 参照 GB18613-2012 效率等级 2 Efficiency is in accordance with the efficiency level 2 of GB18613-2012				额定 转矩 Rated torque	起动 电流 / 额定 电流 Starting current /Rated current	起动 转矩 / 额定 转矩 Starting torque/ Rated torque	最大 转矩 / 额定 转矩 Max torque / Rated torque	转动 惯量 Moment of Inertia	重量 IMB3 Weight	噪声 Noise
					效率 (100% 负载) Effeciency at (50 HZ) 4/4 load	效率 (75% 负载) Effeciency at (50 HZ) 3/4 load	功率 因数 Power factor	额定 电流 Rated current							
	kW			rpm	%	%		A	Nm	直接起动对额定转矩 (电流) 的倍数		kgm ²	kg	L _{pA}	
3000rpm 2 极 2-pole															
220VD/380VY 50HZ															
80M	0.75	0CV3082A	1TL0003-0DA22-1 □□□	2835	80.7	82.9	0.86	1.64	2.5	6.0	2.4	3.0	0.00208	17.0	51
80M	1.1	0CV3083A	1TL0003-0DA32-1 □□□	2870	82.7	84.0	0.83	2.45	3.7	6.5	2.4	3.4	0.00154	18.5	51
90S	1.5	0CV3090A	1TL0003-0EA02-1 □□□	2900	84.2	84.8	0.86	3.15	4.9	6.5	2.0	3.4	0.00276	24	55
90L	2.2	0CV3094A	1TL0003-0EA42-1 □□□	2910	85.9	87.2	0.88	4.40	7.2	7.5	2.3	3.6	0.00356	29	55
100L	3	0CV3104A	1TL0003-1AA42-1 □□□	2875	87.1	88.3	0.87	6.0	10.0	7.8	2.6	3.6	0.00462	39	62
3000rpm 2 极 2-pole															
380VD / 660VY 50HZ															
112M	4	0CV3112A	1TL0003-1BA23-3 □□□	2925	88.1	89.6	0.90	7.7	13.1	7.8	2.6	3.6	0.0088	47	65
132S	5.5	0CV3130A	1TL0003-1CA03-3 □□□	2930	89.2	90.2	0.89	10.5	17.9	7.5	2.3	3.6	0.0185	64	67
132S	7.5	0CV3131A	1TL0003-1CA13-3 □□□	2925	90.1	91.5	0.90	14.1	24.5	7.5	2.3	3.6	0.0232	71	67
160M	11	0CV3162A	1TL0003-1DA23-3 □□□	2935	91.2	92.0	0.89	20.5	35.8	7.5	2.3	2.5	0.0390	103	69
160M	15	0CV3163A	1TL0003-1DA33-3 □□□	2930	91.9	92.6	0.89	28.0	48.9	7.5	2.4	3.4	0.0472	113	69
160L	18.5	0CV3164A	1TL0003-1DA43-3 □□□	2940	92.4	93.0	0.89	34.0	60.1	7.8	2.4	3.4	0.0577	131	69
180M	22	0CV3182A	1TL0003-1EA23-3 □□□	2950	92.7	93.0	0.89	40.5	71.2	7.8	2.4	3.4	0.088	175	70
200L	30	0CV3204A	1TL0003-2AA43-3 □□□	2955	93.3	93.4	0.89	55	97.0	7.8	2.4	3.4	0.15	251	71
200L	37	0CV3205A	1TL0003-2AA53-3 □□□	2955	93.7	93.9	0.89	67	120	7.8	2.4	3.4	0.17	261	71
225M	45	0CV3222A	1TL0003-2BA23-3 □□□	2960	94.0	94.3	0.89	82	145	7.8	2.4	3.2	0.29	305	72
250M	55	0CV3252A	1TL0003-2CA23-3 □□□	2975	94.3	94.1	0.89	100	177	7.8	2.4	3.2	0.53	410	75
280S	75	0CV3280A	1TL0003-2DA03-3 □□□	2975	94.7	94.8	0.89	135	241	7.2	2.4	3.0	0.87	510	77
280M	90	0CV3282A	1TL0003-2DA23-3 □□□	2975	95.0	95.3	0.90	160	289	7.2	2.4	3.4	1	580	77
315S	110	0CV3310A	1TL0003-3AA03-3 □□□	2975	95.2	95.1	0.90	195	353	7.9	1.8	2.6	1.4	795	78
315M	132	0CV3312A	1TL0003-3AA23-3 □□□	2980	95.4	95.3	0.90	235	423	7.9	2.1	2.6	1.7	912	78
315L	160	0CV3315A	1TL0003-3AA53-3 □□□	2978	95.6	95.7	0.91	280	513	7.9	2.1	2.6	1.9	1010	78
315L	185	0CV3316A	1TL0003-3AA63-3 □□□	2978	95.7	95.9	0.92	320	593	7.9	2.3	2.6	2.4	1118	78
315L	200	0CV3317A	1TL0003-3AA73-3 □□□	2982	95.8	95.9	0.92	345	641	7.9	2.6	3.2	2.4	1128	78
355M	220	0CV3352A	1TL0003-3BA23-3 □□□	2986	95.8	95.4	0.90	390	704	8.5	2.2	2.8	3.0	1490	85
355M	250	0CV3353A	1TL0003-3BA33-3 □□□	2985	95.8	95.7	0.90	440	800	8.0	2.2	2.8	3.0	1490	85
355L	280	0CV3355A	1TL0003-3BA53-3 □□□	2988	95.8	95.7	0.90	495	896	8.5	2.2	2.8	3.5	1620	85
355L	315	0CV3356A	1TL0003-3BA63-3 □□□	2982	95.8	95.8	0.90	560	1009	8.0	2.2	2.8	3.5	1670	85

注:

¹⁾ 关于其他电压与频率、绕组保护及接线盒位置的编码, 请见第 14 页“订货号”部分;

²⁾ 噪声值仅适用于电动机在 50 Hz 电源直接供电且空载运行时的情况, 容差为 +3 dB。

Note:

¹⁾ About the code of other voltage and frequency, winding protection and connection box position, please refer to Orde No. in page 14.

²⁾ Noise value is only applicable to the direct power supply of the motor in 50Hz power supply and the condition of no-load operation, the tolerance is +3dB.

选型技术数据表 Technical data table

铸铁壳系列电机 Cast Iron Motors

中国能效等级2级, IE3

机座号 Frame Size	额定功率 Rate Output 50 Hz	电动机 型号	订货号 Order No.	额定 转速 Rated Speed	效率 — 参照 GB18613-2012 效率等级 2 Efficiency is in accordance with the efficiency level 2 of GB18613-2012				额定 转矩 Rated torque	起动 电流 / 额定 电流 Starting current /Rated current	起动 转矩 / 额定 转矩 Starting torque/ Rated torque	最大 转矩 / 额定 转矩 Max torque / Rated torque	转动 惯量 Moment of Inertia	重量 IMB3 Weight	噪声 Noise
					效率 (100% 负载) Efficiency at (50 Hz) 4/4 load	效率 (75% 负载) Efficiency at (50 Hz) 3/4 load	功率 因数 Power factor	额定 电流 Rated current							
	kW			rpm	%	%		A	Nm	直接起动对额定转矩 (电流) 的倍数		kgm ²	kg	L _{pA}	
1500rpm 4 极 4-pole															
220VD/380VY 50HZ															
80M	0.55	0CV3082B	1TL0003-0DB22-1 □□□□	1440	80.8	81.8	0.76	1.36	3.6	5.5	2.2	3.2	0.00216	17.5	45
80M	0.75	0CV3083B	1TL0003-0DB32-1 □□□□	1445	82.5	82.9	0.75	1.84	5.0	6.0	2.7	3.7	0.00250	19.0	45
90S	1.1	0CV3090B	1TL0003-0EB02-1 □□□□	1430	84.1	85.1	0.79	2.50	7.3	6.5	2.7	3.7	0.00389	24	47
90L	1.5	0CV3094B	1TL0003-0EB42-1 □□□□	1440	85.3	86.0	0.79	3.40	9.9	6.5	2.7	3.8	0.00499	28	47
100L	2.2	0CV3104B	1TL0003-1AB42-1 □□□□	1445	86.7	87.1	0.82	4.70	14.5	8.3	3.7	4.6	0.01125	42	52
100L	3	0CV3105B	1TL0003-1AB52-1 □□□□	1450	87.7	88.1	0.82	6.3	19.8	8.3	3.7	4.6	0.01313	45	52
1500rpm 4 极 4-pole															
380VD / 660VY 50HZ															
112M	4	0CV3112B	1TL0003-1BB23-3 □□□□	1450	88.6	89.6	0.82	8.4	26.3	8.3	3.7	4.6	0.0149	52	53
132S	5.5	0CV3130B	1TL0003-1CB03-3 □□□□	1455	89.6	90.9	0.84	11.1	36.1	7.8	2.4	3.8	0.0285	70	59
132M	7.5	0CV3132B	1TL0003-1CB23-3 □□□□	1455	90.4	91.7	0.85	14.8	49.2	7.8	2.4	3.8	0.0356	83	59
160M	11	0CV3162B	1TL0003-1DB23-3 □□□□	1460	91.4	92.4	0.86	21.5	72.0	7.8	2.4	3.8	0.0648	113	61
160L	15	0CV3164B	1TL0003-1DB43-3 □□□□	1460	92.1	92.9	0.86	29.0	98.1	7.8	2.6	3.8	0.0811	133	61
180M	18.5	0CV3182B	1TL0003-1EB23-3 □□□□	1470	92.6	93.0	0.83	36.5	120	7.8	2.6	3.6	0.14	178	63
180L	22	0CV3184B	1TL0003-1EB43-3 □□□□	1470	93.0	93.7	0.83	43.5	143	7.8	2.6	3.6	0.16	200	63
200L	30	0CV3204B	1TL0003-2AB43-3 □□□□	1470	93.6	94.3	0.84	58	195	7.8	2.6	3.6	0.24	255	63
225S	37	0CV3220B	1TL0003-2BB03-3 □□□□	1478	93.9	94.1	0.85	70	239	8.3	3.3	3.6	0.52	299	65
225M	45	0CV3222B	1TL0003-2BB23-3 □□□□	1478	94.2	94.2	0.85	85	291	8.3	3.3	3.6	0.57	325	65
250M	55	0CV3252B	1TL0003-2CB23-3 □□□□	1482	94.6	95.0	0.86	103	354	7.6	2.6	3.3	0.9	420	66
280S	75	0CV3280B	1TL0003-2DB03-3 □□□□	1485	95.0	95.3	0.86	139	482	7.6	2.6	3.0	1.5	545	66
280M	90	0CV3282B	1TL0003-2DB23-3 □□□□	1485	95.2	95.6	0.87	165	579	7.6	2.6	3.0	1.9	650	66
315S	110	0CV3310B	1TL0003-3AB03-3 □□□□	1488	95.4	95.7	0.87	200	706	7.9	3.3	3.0	2.3	815	74
315M	132	0CV3312B	1TL0003-3AB23-3 □□□□	1488	95.6	95.9	0.87	240	847	7.9	3.3	3.0	2.6	1020	74
315L	160	0CV3315B	1TL0003-3AB53-3 □□□□	1488	95.8	96.1	0.87	290	1027	7.9	3.3	3.0	3.1	1055	74
315L	185	0CV3316B	1TL0003-3AB63-3 □□□□	1488	95.9	96.2	0.87	335	1187	7.9	3.3	3.0	3.8	1090	74
315L	200	0CV3317B	1TL0003-3AB73-3 □□□□	1490	96.0	96.3	0.88	360	1282	7.9	3.3	3.0	3.9	1155	74
355M	220	0CV3352B	1TL0003-3BB23-3 □□□□	1492	96.0	96.0	0.88	395	1408	8.0	2.0	3.2	6.9	1670	81
355M	250	0CV3353B	1TL0003-3BB33-3 □□□□	1490	96.0	96.0	0.88	450	1602	7.8	1.8	2.9	6.9	1670	81
355L	280	0CV3355B	1TL0003-3BB53-3 □□□□	1490	96.0	96.1	0.88	500	1795	7.8	1.8	2.9	7.7	1700	81
355L	315	0CV3356B	1TL0003-3BB63-3 □□□□	1490	96.0	96.1	0.88	570	2019	8.0	1.8	2.9	8.5	1790	81

注:

¹⁾ 关于其他电压与频率、绕组保护及接线盒位置的编码, 请见第 14 页“订货号”部分;

²⁾ 噪声值仅适用于电动机在 50 Hz 电源直接供电且空载运行时的情况, 容差为 +3 dB。

Note:

¹⁾ About the code of other voltage and frequency, winding protection and connection box position, please refer to Orde No. in page 14.

²⁾ Noise value is only applicable to the direct power supply of the motor in 50Hz power supply and the condition of no-load operation, the tolerance is +3dB.

选型技术数据表 Technical data table

铸铁壳系列电机 Cast Iron Motors

中国能效等级2级, IE3

机座号 Frame Size	额定 功率 Rate Output 50 Hz	电动机 型号	订货号 Order No.	额定 转速 Rated Speed	效率 — 参照 GB18613-2012 效率等级 2 Efficiency is in accordance with the efficiency level 2 of GB18613-2012				额定 转矩 Rated torque	起动 电流 / 额定 电流 Starting current /Rated current	起动 转矩 / 额定 转矩 Starting torque/ Rated torque	最大 转矩 / 额定 转矩 Max torque / Rated torque	转动 惯量 Moment of Inertia	重量 IMB3 Weight	噪声 Noise
					效率 (100% 负载) Efficiency at (50 Hz) 4/4 load	效率 (75% 负载) Efficiency at (50 Hz) 3/4 load	功率 因数 Power factor	额定 电流 Rated current							
	kW			rpm	%	%		A	Nm	直接起动对额定转矩（电 流）的倍数		kgm ²	kg	L _p (A)	
1000rpm 6 极															
220VD/380VY 50HZ															
80M	0.55	0CV3083C	1TL0003-0DC32-1 □□□□	935	77.2	77.5	0.67	1.62	5.6	5.0	2.7	3.4	0.00310	20.5	44
90S	0.75	0CV3090C	1TL0003-0EC02-1 □□□□	940	78.9	80.3	0.70	2.05	7.6	5.0	2.4	3.2	0.00436	26	45
90L	1.1	0CV3094C	1TL0003-0EC42-1 □□□□	945	81.0	81.6	0.69	3.00	11.1	5.5	2.7	3.5	0.00513	30	45
100L	1.5	0CV3104C	1TL0003-1AC42-1 □□□□	945	82.5	84.1	0.74	3.75	15.2	5.5	2.7	3.5	0.01136	42	49
112M	2.2	0CV3112C	1TL0003-1BC22-1 □□□□	945	84.3	86.1	0.74	5.4	22.2	6.0	2.7	3.4	0.01451	50	53
132S	3	0CV3130C	1TL0003-1CC02-1 □□□□	965	85.6	86.6	0.75	7.2	29.7	6.0	2.7	4.0	0.02666	67	57
1000rpm 6 极															
380VD / 660VY 50HZ															
132M	4	0CV3132C	1TL0003-1CC23-3 □□□□	955	86.8	88.5	0.75	9.3	40.0	6.0	2.3	3.4	0.0305	75	57
132M	5.5	0CV3133C	1TL0003-1CC33-3 □□□□	960	88.0	89.2	0.76	12.5	54.7	6.5	2.3	4.0	0.0413	89	57
160M	7.5	0CV3162C	1TL0003-1DC23-3 □□□□	980	89.1	90.4	0.78	16.4	73.1	6.5	2.3	3.6	0.126	115	61
160L	11	0CV3164C	1TL0003-1DC43-3 □□□□	980	90.3	90.3	0.77	23.5	107	7.0	2.3	3.6	0.1717	141	61
180L	15	0CV3184C	1TL0003-1EC43-3 □□□□	975	91.2	92.1	0.80	31.0	147	7.0	2.3	3.0	0.21	183	59
200L	18.5	0CV3204C	1TL0003-2AC43-3 □□□□	978	91.7	92.5	0.80	38.5	181	7.0	2.3	3.0	0.31	235	59
200L	22	0CV3205C	1TL0003-2AC53-3 □□□□	978	92.2	93.1	0.80	45.5	215	7.0	2.4	3.0	0.37	252	59
225M	30	0CV3222C	1TL0003-2BC23-3 □□□□	982	92.9	93.9	0.83	59	292	7.6	2.4	3.0	0.76	320	60
250M	37	0CV3252C	1TL0003-2CC23-3 □□□□	985	93.3	94.1	0.84	72	359	7.6	2.4	3.0	1.1	400	62
280S	45	0CV3280C	1TL0003-2DC03-3 □□□□	985	93.7	94.5	0.84	87	436	7.8	3.0	3.0	1.7	483	64
280M	55	0CV3282C	1TL0003-2DC23-3 □□□□	988	94.1	94.6	0.84	106	532	7.8	3.0	3.0	1.8	550	64
315S	75	0CV3310C	1TL0003-3AC03-3 □□□□	990	94.6	95.0	0.84	143	723	7.8	2.6	3.0	2.4	790	69
315M	90	0CV3312C	1TL0003-3AC23-3 □□□□	990	94.9	95.3	0.84	172	868	7.8	2.6	3.0	3.0	920	69
315L	110	0CV3315C	1TL0003-3AC53-3 □□□□	991	95.1	95.3	0.85	205	1060	7.8	2.6	3.0	4.3	1055	69
315L	132	0CV3316C	1TL0003-3AC63-3 □□□□	991	95.4	95.7	0.85	245	1272	7.8	2.6	3.0	4.8	1095	69
355M	160	0CV3352C	1TL0003-3BC23-3 □□□□	994	95.6	95.7	0.84	305	1537	8.5	3.0	2.4	8.4	1770	71
355M	185	0CV3353C	1TL0003-3BC33-3 □□□□	993	95.7	95.8	0.84	350	1779	8.5	3.0	2.4	8.4	1770	71
355M	200	0CV3354C	1TL0003-3BC43-3 □□□□	993	95.8	95.9	0.84	380	1923	8.5	3.0	2.4	11.2	1810	71
355L	220	0CV3355C	1TL0003-3BC53-3 □□□□	993	95.8	96.0	0.84	415	2116	8.5	3.0	2.4	11.4	1980	71
355L	250	0CV3356C	1TL0003-3BC63-3 □□□□	992	95.8	96.1	0.84	470	2407	8.5	3.0	2.4	11.4	2010	71

注:

¹⁾ 关于其他电压与频率、绕组保护及接线盒位置的编码, 请见第 14 页“订货号”部分;

²⁾ 噪声值仅适用于电动机在 50 Hz 电源直接供电且空载运行时的情况, 容差为 +3 dB。

Note:

¹⁾ About the code of other voltage and frequency, winding protection and connection box position, please refer to Orde No. in page 14.

²⁾ Noise value is only applicable to the direct power supply of the motor in 50Hz power supply and the condition of no-load operation, the tolerance is +3dB.

选件 Options

电动机订货号 Motor order code	选件号 ¹⁾ Option Code	描述 Description	应用范围 Application Scope
电压与频率 Voltages and frequency			
1TL000 □ - □□□□ 9-0 □□□ -Z	M2A ²⁾¹⁷⁾	220VD/380VY 60Hz, 50Hz 功率输出 power output	FS80 ~ 355
	M2B ³⁾¹⁷⁾	380VD/660VY 60Hz, 50Hz 功率输出 power output	FS80 ~ 355
	M2C ²⁾¹⁷⁾	440VY 60Hz, 50Hz 功率输出 power output	FS80 ~ 355
	M2D ³⁾¹⁷⁾	440VD 60Hz, 50Hz 功率输出 power output	FS80 ~ 355
	M2E ²⁾¹⁷⁾	460VY 60Hz, 50Hz 功率输出 power output	FS80 ~ 355
	M2F ³⁾¹⁷⁾	460VD 60Hz, 50Hz 功率输出 power output	FS80 ~ 355
线圈和绝缘 Windings and insulation			
—	N01	温度等级 155 (F), 使用 155 (F), 带有服务系数 (SF1.15) Temperature class 155 (F), used according to 155 (F), with service factor (SF1.15)	FS80 ~ 355
—	N10	180 (H) 度温度等级绝缘 Temperature class 180 (H)	FS80 ~ 355
—	Q04 ⁴⁾	绕组带 220 V 防潮加热带 Anti-condensation heater for 220 VAC (spaces heater)	FS80 ~ 355
电动机接线盒 Motor connection box			
—	R10 ⁵⁾	接线盒直接旋转 90°, 进线口朝向驱动端 Rotation of the connection box through 90°, entry from DE	FS80 ~ 355
—	R11 ⁶⁾	接线盒直接旋转 90°, 进线口朝向非驱动端 Rotation of the connection box through 90°, entry from NDE	FS80 ~ 355
—	R12	接线盒直接旋转 180° Rotation of the connection box through 180°	FS80 ~ 355
—	H04	外部接地 external earthing	FS80 ~ 280
—	X07	铸铁接线盒 cast iron connection box	FS80 ~ 355
—	X47	电机接线盒标配 2 个自锁葛兰 Connection boxes of the motors include 2 self-locking cable gland	FS112 ~ 355
轴承 Bearings			
—	Q72	轴承带两个 PT100 测温元件 Installation of 2PT100 screw-in resistance thermometers for bearing	FS180 ~ 355
—	L80	SKF 轴承 SKF Bearing	FS80 ~ 355
—	L81	其他进口品牌轴承 Other imported brand bearings	FS80 ~ 355
—	L20 ¹⁸⁾	驱动端轴承固定 Located bearing at DE	FS80 ~ 160
—	L22 ⁷⁾¹⁸⁾	增强悬臂力 Increased cantilever forces	FS100 ~ 355
机械设计和防护等级 Mechanical design and degrees of protection			
—	X17 ⁸⁾⁹⁾	第二标准轴伸 Second standard shaft extension	FS80 ~ 355
—	P80 ¹⁰⁾	全圆法兰 Full circle flange	FS80 ~ 315

1) 订货时, 电动机订货号需带“-Z”, 另外附上选件号;

2) 一般适用于 3kW 及以下功率的电机;

3) 一般适用于 3kW 以上功率的电机;

4) 选择此选件, 接线盒将更改为铸铁壳

5) 不适用 FS80-100 法兰安装电机, 且不能与选件 H08 共同使用;

6) 不适用于顶出线;

7) 铸铁机座电机不含 160 机座号;

8) H00、F70 均不能与此选件并用;

9) 非驱动端上的第二轴伸尺寸见外形尺寸;

10) 对于机座号为 180、200、225 和 280 的电动机不适用, 这些机座号的电动机标配的法兰为全圆法兰;

11) 螺纹孔尺寸参见“外形尺寸”部分中 DB 尺寸;

1) Order No. supplement Z with option code when ordering;

2) Only applicable to the motor whose power is 3kW and below;

3) Only applicable to the motor whose power is 3kW and above;

4) When choose these options, the connection boxes will be changed to cast iron shell;

5) Not applicable to the FS80~10 flange mounted motors, and can't be used with the option H08;

6) Not applicable to the outlet on top;

7) Cast iron motor exclude FS160.

8) H00、F70 can't be used with this option;

9) Second standard shaft extension on NDE is shown in the dimension drawings;

10) Not applicable to the FS180、200、225 and 280 motors, these motors include the full circle flange;

11) Threaded hole size is shown in the DB size of the section of dimension drawings;

选件 Options

电动机订货号 Motor order code	选件号 ¹⁾ Option Code	描述 Description	应用范围 Application Scope
—	L82 ¹¹⁾	驱动端轴带螺纹孔 DE shaft with threaded hole	FS80 ~ 355
—	H00 ¹²⁾	电动机带防护罩 Motor with protective cover	FS80 ~ 355
—	H03 ¹³⁾	排水孔 Drainage holes	FS80 ~ 355
—	F90 ¹⁴⁾	风机电机 (无风扇风罩, 非驱动端全封闭) Fan motor(no fan cover, NDE fully enclosed)	FS80 ~ 355
—	D03	用于环境温度 -40 °C ~ +40 °C 下使用的电机 Applicable to the motors that is used in the coolant temperature of -40°C~+40°C	FS80 ~ 355
—	X50 ¹⁵⁾	安装欧姆龙编码器 (E6B2-CWZ6C-1024) 和独立驱动风扇 Install OMRON encoder (E6B2-CWZ6C-1024)and independent drive fan	FS80 ~ 355
—	F01	安装电磁制动器 Install the electro-magnetic brake	FS80 ~ 225
—	W74 ¹⁶⁾	安装欧姆龙编码器 (E6B2-CWZ1X-1024) 和独立驱动风扇 Install the OMRON encoder(E6B2-CWZ1X-1024) and independent drive fan	FS80 ~ 355
—	F70 ¹²⁾	电动机带独立驱动风扇 Motors with the independent drive fan	FS80 ~ 355
—	W03	电机轴驱动端带油封 Motor shaft DE with oil seal	FS80 ~ 132
铭牌和测试证书 Rating plate and test certificates			
—	B80	出厂检验报告 Acceptance test certificate 3.1 in accordance with EN 10204	FS80 ~ 355
喷漆 Paint finish			
—	S01	不喷漆, 只带底漆 Unpainted, only primed	FS80 ~ 355
—	W88	适用 TH, W, F1, WF1 以及海洋性气候环境用电机 Design for TH, W, F1, WF1 and Sea air resistant	FS80 ~ 355
包装 Packing			
—	B90	包装 (FS80 ~ 132 电动机采用纸箱包装, FS160 ~ 355 电动机采用木箱包装) Packing(FS80~132 motors adopt the carton packaging, FS160~355 motors adopt the wooden cases packaging)	FS80 ~ 355

¹²⁾ 无法与选件号 X17 并用;

¹³⁾ 仅适用于水平安装的电动机。对于 IM B5 和 IM B14 安装结构型式的电动机, 选择此选件时, 必须确保接线盒处于机座顶端。对于其它安装结构型式的电机请咨询西门子;

¹⁴⁾ 无风扇和风罩时, 电动机的长度将减小 Δl 。如需要按照铭牌上功率数值输出时电动机需要外部冷却。客户应当采用正确的冷却方式, 没有或错误的冷却方式都将减少电动机的使用寿命, 甚至会损坏电动机;

¹⁵⁾ SINAMICS 变频器联结 Omron 编码器 (E6B2-CWZ6C) 时, 变频器需要一些特殊配置。详细信息, 请咨询西门子热线;

¹⁶⁾ SINAMICS 变频器可以直接与 Omron 编码器 (E6B2-CWZ1X) 联结。

¹⁷⁾ 根据国标要求, 60Hz 频率下不考核能效要求。

¹⁸⁾ FS 180-355, L20 与 L22 不能同时选用。

¹²⁾ Unable to be used with the option X17;

¹³⁾ Only applicable to the vertical mounting motors. For the construction type of IM B5 and IM B14, when choose this option, it is necessary to ensure the connection box is on top of the frame. For other construction types, please specially consult with SIEMENS.

¹⁴⁾ When without the fans or the shells, the motor length will be decreased by Δl . If it is necessary to output according to the nameplate power, the motor requires external cooling. Customers are supposed to adopt the right cooling method, without or wrong cooling methods will decrease the service life for the motors. even damage the motors;

¹⁵⁾ When the SINAMICS frequency converter is coupled with the Omron encoder(E6B2-CWZ6C), the frequency converter requires some special configuration. For more information, please consult the SIEMENS hotline;

¹⁶⁾ SINAMICS frequency converter can be directly coupled with the Omron encoder(E6B2-CWZ1X).

¹⁷⁾ According to the requirements of the GB, the energy efficiency requirement is not evaluated under the frequency of 60Hz.

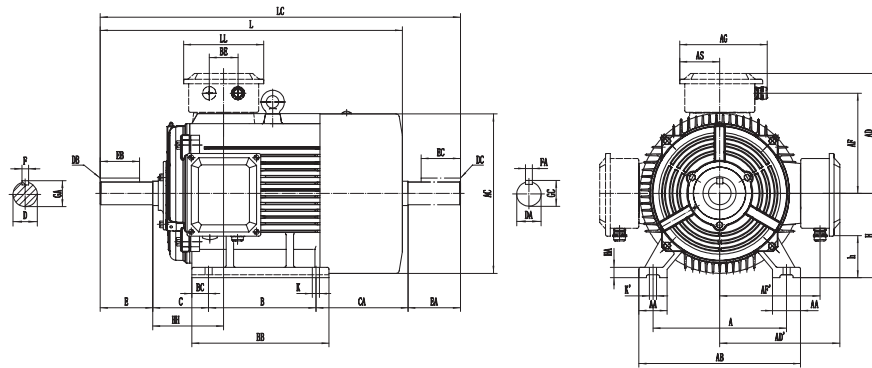
¹⁸⁾ For FS 180-355, L20+L22 can't be selected.

外形尺寸 Dimension drawings

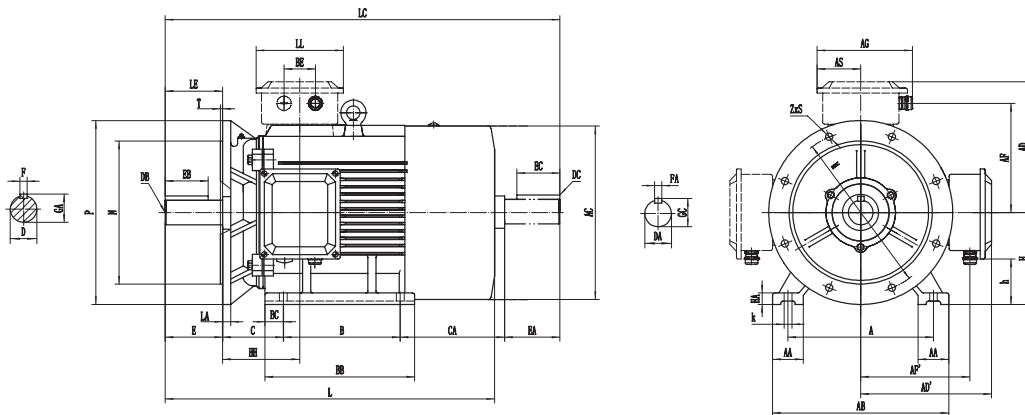
1TL0001 铸铁系列电动机 Cast-iron series 1TL0001

机座号 80M 至 355L Frame sizes 80M TO 355L

IM B3 安装结构型式 Type of construction IM B3



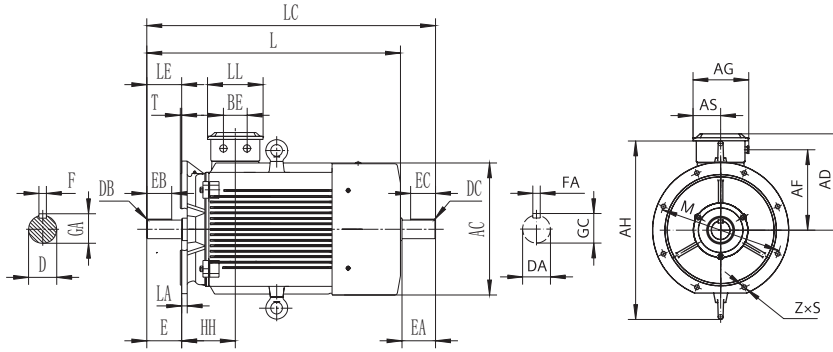
IM B35 安装结构型式 Type of construction IM B35



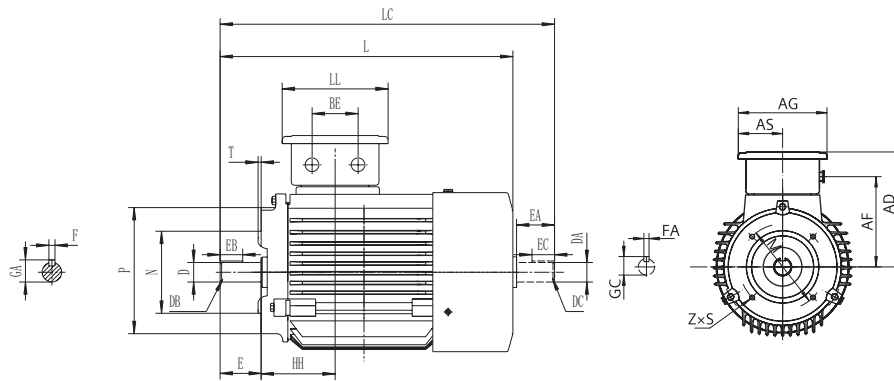
机座号 Frame size	类型 Type 1TL0001-	极数 Poles	尺寸图依据 IEC 标准 Dimension designation according to IEC standards													
			A	AA	AB	AC	AD / AD'	AF / AF'	AG	AH	AS	B ¹⁾	BB	BC	BE	C
80 M	0D □ 2	2, 4, 6	125	34	160	161	145	111	130	—	52	100	130	15	⁻³⁾	50
	0D □ 3		125	34	160	161	145	111	130	—	52	100	130	15	⁻³⁾	50
90 S	0E □ 0	2, 4, 6	140	36	180	175	160	121	135	—	55	100	140	20	⁻³⁾	56
	0E □ 4		140	36	180	175	160	121	135	—	55	125	165	20	⁻³⁾	56
100 L	1A □ 4	2, 4, 6	160	40	200	196	165	140	135	—	55	140	188	24	⁻³⁾	63
	1A □ 5	4	160	40	200	196	165	140	135	—	55	140	188	24	⁻³⁾	63
112 M	1B □ 2	2, 4, 6	190	45	226	217	193	152	155	—	64	140	180	20	42	70
132 S	1C □ 0	2, 4, 6, 8	216	55	262	258	203	175	155	—	64	140	186	23	42	89
	1C □ 1		2	216	55	262	258	203	175	155	—	64	140	186	23	42
132 M	1C □ 2	4, 6, 8	216	55	262	258	203	175	155	—	64	178	224	23	42	89
	1C □ 3		6	216	55	262	258	203	175	155	—	64	178	224	23	42
160 M	1D □ 2	2, 4, 6, 8	254	65	314	311	255	206	200	480	83	210	260	25	60	108
	1D □ 3		2, 8	254	65	314	311	255	206	200	480	83	210	260	25	60
160 L	1D □ 4	2, 4, 6, 8	254	65	314	311	255	206	200	480	83	254	304	25	60	108
180M	1E □ 2	2, 4	279	70	349	356	280	221	200	480	83	241	309	35	60	121
180L	1E □ 4	4, 6, 8	279	70	349	356	280	221	200	480	83	279	344	35	60	121
200L	2A □ 4	2, 6	318	70	388	398	310	248	250	575	107	305	379	32	72	133
	2A □ 5	2, 4, 6, 8	318	70	388	398	310	248	250	575	107	305	379	32	72	133
225S	2B □ 0	4, 8	356	75	431	428	325	257	250	600	107	286	366	45	72	149
225M	2B □ 2	2	356	75	431	428	325	257	250	600	107	311	391	45	72	149

¹⁾ 该尺寸为 DIN EN 50347 标准所列机座号对应尺寸 he dimension corresponds to the dimension that listed in the DIN 50347 Standard ;

IM B5 以及 IM V1 安装结构型式 Type of construction IM B5 and IM V1



IM B14 安装结构型式 Type of construction IM B14



尺寸图依据 IEC 标准 Dimension designation according to IEC standards

	CA ²⁾	H	h	HA	HH _{Top}	HH _{RHS}	HH _{LHS}	K / K'	L	LC	LL	D	DB ³⁾	E	EB	F	GA	DA	EA	EC	FA	GC
	108	80	29	10	72	100	100	10	290	338	103	19	M6	40	22	6	21.5	19	40	22	6	21.5
	108	80	29	10	72	100	100	10	290	338	103	19	M6	40	22	6	21.5	19	40	22	6	21.5
	119	90	35	12	75	106	106	10	320	375	110	24	M8	50	32	8	27	24	50	32	8	27
	119	90	35	12	75	119	119	10	345	400	110	24	M8	50	32	8	27	24	50	32	8	27
	128	100	45	14	77	133	133	12	385	451	110	28	M10	60	40	8	31	28	60	40	8	31
	128	100	45	14	77	133	133	12	385	451	110	28	M10	60	40	8	31	28	60	40	8	31
	135	112	48	15	87	140	140	12	400	465	119	28	M10	60	40	8	31	28	60	40	8	31
	168	132	68	18	99	159	159	12	470	557	119	38	M12	80	56	10	41	38	80	56	10	41
	168	132	68	18	99	159	159	12	470	557	119	38	M12	80	56	10	41	38	80	56	10	41
	170	132	68	18	99	178	178	12	510	597	119	38	M12	80	56	10	41	38	80	56	10	41
	170	132	68	18	99	178	178	12	510	597	119	38	M12	80	56	10	41	38	80	56	10	41
	189	160	77	20	150	213	213	15	615	727	157	42	M16	110	80	12	45	42	110	80	12	45
	189	160	77	20	150	213	213	15	615	727	157	42	M16	110	80	12	45	42	110	80	12	45
	190	160	77	20	150	150	320	15	660	772	157	42	M16	110	80	12	45	42	110	80	12	45
	226	180	97	22	161	161	326	15	695	808	157	48	M16	110	80	14	51.5	48	110	80	14	51.5
	223	180	97	22	161	161	361	15	730	843	157	48	M16	110	80	14	51.5	48	110	80	14	51.5
	242	200	94	25	186	186	395	19	785	900	197	55	M20	110	80	16	59	55	110	80	16	59
	242	200	94	25	186	186	395	19	785	900	197	55	M20	110	80	16	59	55	110	80	16	59
	245	225	119	28	189	189	384	19	810	960	197	60	M20	140	100	18	64	60	140	100	18	64
	245	225	119	28	189	189	409	19	805	925	197	55	M20	110	80	16	59	55	110	80	16	59
									835	985		60		140	100	18	64	60	140	100	18	64

²⁾ 机座号 80~100 的电机只有一个进线孔 There is only one inlet hole in the FS80~100 motors.;

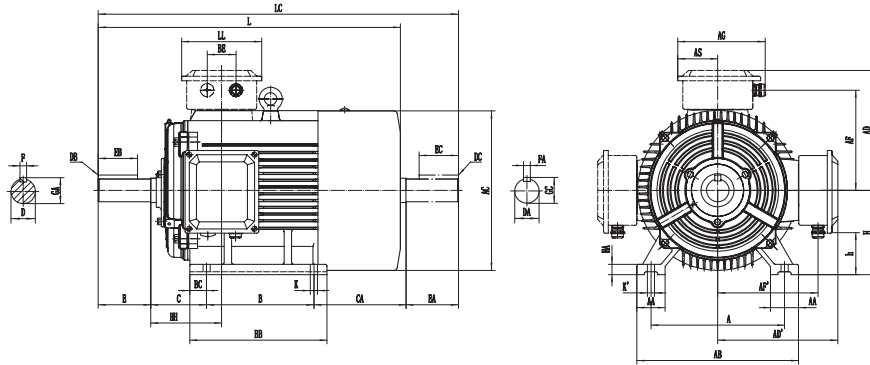
³⁾ 1TL0001 电机配置 L82 选项时, 螺纹孔的尺寸 When the 1TL0001 motors are equipped with the L82 option, the thread hole size.

外形尺寸 Dimension drawings

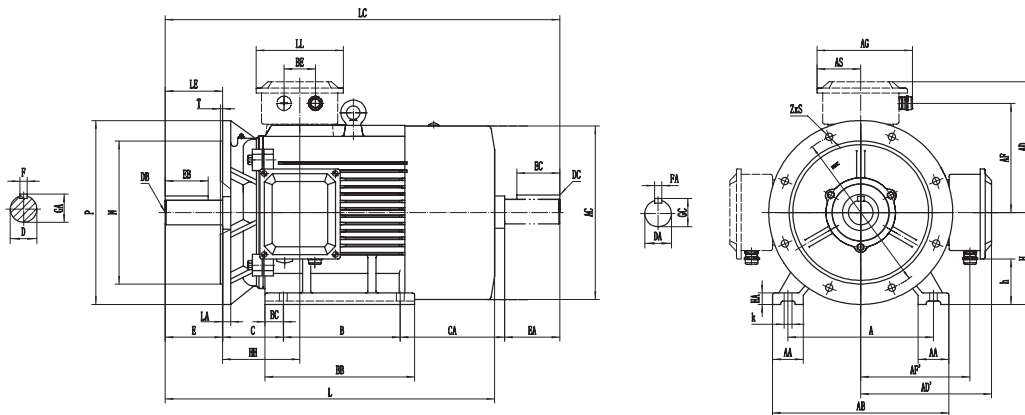
1TL0001 铸铁系列电动机 Cast-iron series 1TL0001

机座号 80M 至 355L Frame sizes 80M TO 355L

IM B3 安装结构型式 Type of construction IM B3



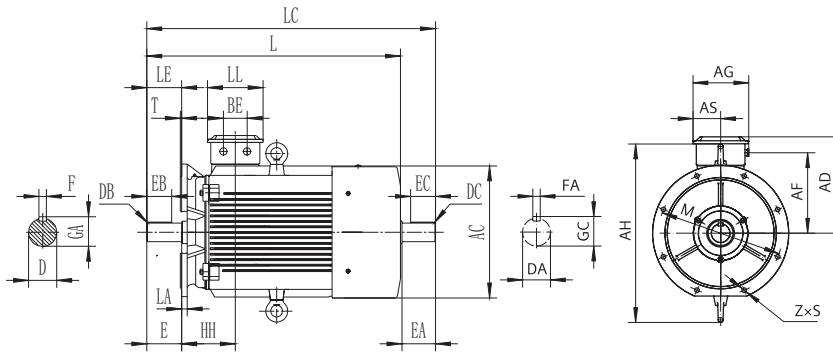
IM B35 安装结构型式 Type of construction IM B35



机座号 Frame size	类型 Type 1TL0001-	极数 Poles	尺寸图依据 IEC 标准 Dimension designation according to IEC standards													
			A	AA	AB	AC	AD / AD'	AF / AF'	AG	AH	AS	B ¹⁾	BB	BC	BE	C
250M	2C □ 2	2 4, 6, 8	406	80	484	475	360	311	295	670	124	349	425	40	80	168
280S	2D □ 0	2 4, 6, 8	457	85	542	530	395	351	295	755	124	368	485	74	80	190
280M	2D □ 2	2 4, 6, 8	457	85	542	530	395	351	295	755	124	419	536	74	80	190
315S	3A □ 0	2 4, 6, 8	508	120	628	581	505	401	385	920	171	406	540	84	120	216
315M	3A □ 2	2 4, 6, 8	508	120	628	581	505	401	385	920	171	457/508	680	84	120	216
315L	3A □ 5/3A □ 6/ 3A □ 7	2 4, 6, 8	508	120	628	581	505	401	385	920	171	457/508	680	84	120	216
355M	3B □ 2	2 4, 6, 8	610	120	730	698	630	516	454	1138	181	560/630	750	68	125	254
355L	3B □ 3	2 4, 6, 8	610	120	730	698	630	516	454	1138	181	560/630	750	68	125	254
	3B □ 4	6	610	120	730	698	630	516	454	1138	181	560/630	750	68	125	254
	3B □ 5	2 4, 6, 8	610	120	730	698	630	516	454	1138	181	560/630	750	68	125	254
	3B □ 6	2 4, 6, 8	610	120	730	698	630	516	454	1138	181	560/630	750	68	125	254

¹⁾ 该尺寸为 DIN EN 50347 标准所列机座号对应尺寸 he dimension corresponds to the dimension that listed in the DIN 50347 Standard ;

IM B5 以及 IM V1 安装结构型式 Type of construction IM B5 and IM V1



尺寸图依据 IEC 标准 Dimension designation according to IEC standards

	CA ²⁾	H	h	HA	HH_ Top	HH_ RHS	HH_ LHS	K / K'	L	LC	LL	D	DB ³⁾	E	EB	F	GA	DA	EA	EC	FA	GC
	203	250	126	30	222	222	222	24/40	855	1005 1005	224	60 65	M20	140	100	18	64 69	60 65	140	100	18	64 69
	77	280	156	35	216	216	216	24	910	1060	224	65 75	M20	140	100	18 20	69 79	65 75	140	100	18 20	69 79
	281	280	156	35	216	216	216	24	1020	1170	224	65 75	M20	140	100	18 20	69 79	65 75	140	100	18 20	69 79
	370	315	155	45	258	258	258	28	1125	1272	310	65 80	M20	140	100	18 22	69 85	65 80	140	100	18 22	69 85
	499 / 448	315	155	45	258	258	258	28	1305	1452	310	65 80	M20	140	100	18 22	69 85	65 80	140	100	18 22	69 85
	499 / 448	315	155	45	258	258	258	28	1305	1452	310	65 80	M20	140	100	18 22	69 85	65 80	140	100	18 22	69 85
	548/478	355	136	53	281	281	281	28	1490	1642	362	75 95	M20 M24	140	125	20 25	79.5 100	75 95	140	125	20 25	79.5 100
	548/478	355	136	53	281	281	281	28	1490	1642	362	75 95	M20 M24	140	125	20 25	79.5 100	75 95	140	125	20 25	79.5 100
	548/478	355	136	53	281	281	281	28	1490	1642	362	75 95	M20 M24	140	125	20 25	79.5 100	75 95	140	125	20 25	79.5 100
	548/478	355	136	53	281	281	281	28	1490	1642	362	75 95	M20 M24	140	125	20 25	79.5 100	75 95	140	125	20 25	79.5 100
	548/478	355	136	53	281	281	281	28	1490	1642	362	75 95	M20 M24	140	125	20 25	79.5 100	75 95	140	125	20 25	79.5 100

²⁾ 机座号 80~100 的电机只有一个进线孔 There is only one inlet hole in the FS80~100 motors.;

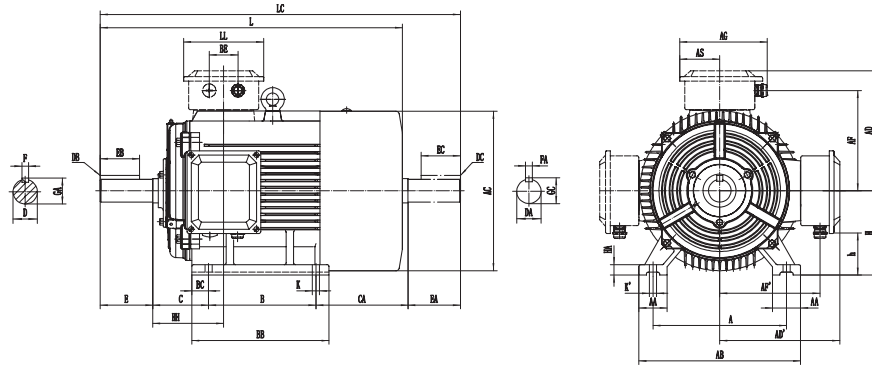
³⁾ 1TL0001 电机配置 L82 选项时, 螺纹孔的尺寸 When the 1TL0001 motors are equipped with the L82 option, the thread hole size.

外形尺寸 Dimension drawings

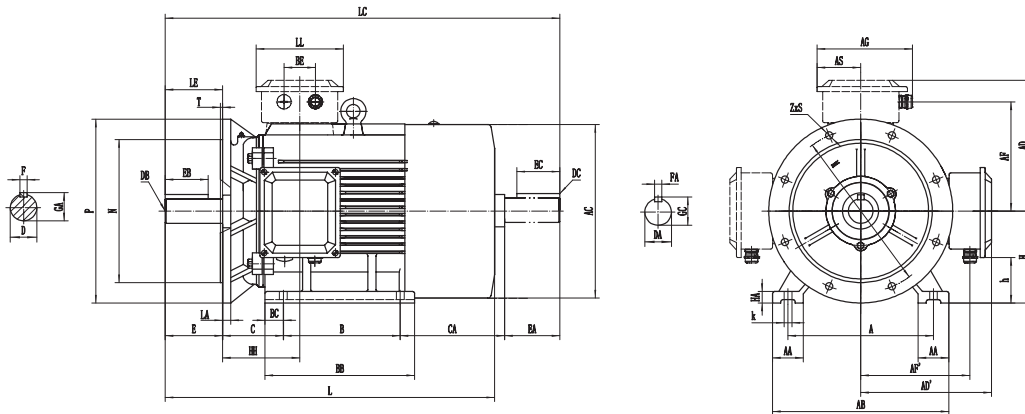
1TL0003 铸铁系列电机 Cast-iron series 1TL0003

机座号从 80M~355L Frame sizes 80M TO 355L

IM B3 安装结构方式 Type of construction IM B3



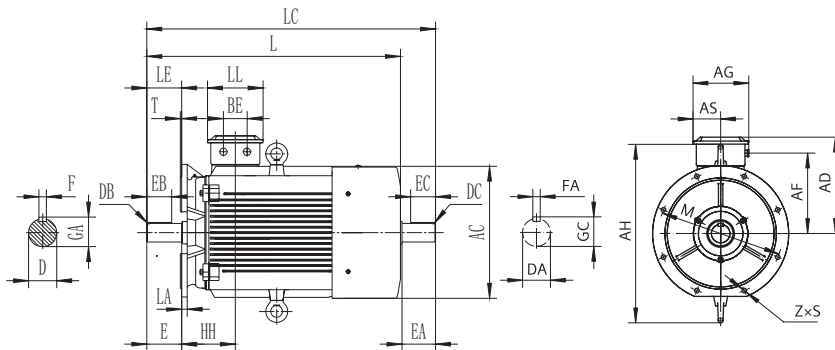
IM B35 安装结构方式 Type of construction IM B35



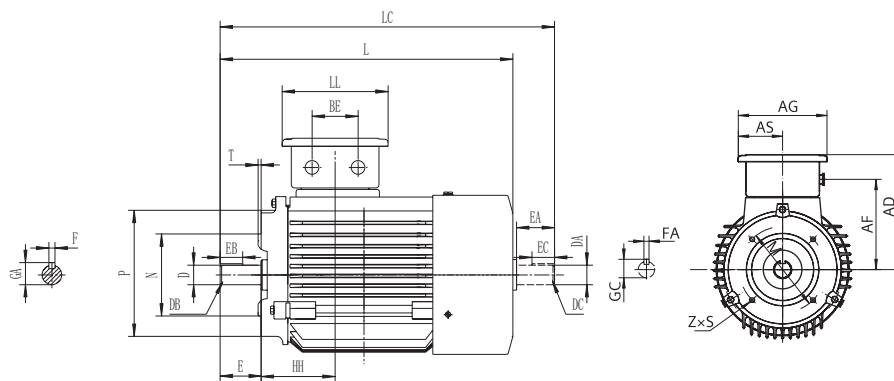
机座号 Frame size	类型 Type 1TL0003-	极数 Poles	尺寸图依据 IEC 标准 Dimension designation according to IEC standards													
			A	AA	AB	AC	AD / AD'	AF / AF'	AG	AH	AS	B ²⁾	BB	BC	BE	C
80 M	0D□2	2, 4, 6	125	34	160	161	145	107	130	-	52	100	170	15	-	50
	0D□3		125	34	160	161	145	107	130	-	52	100	170	15	-	50
90 S	0E□0	2, 4, 6	140	36	180	175	160	116	135	-	55	100	185	20	-	56
90 L	0E□4		140	36	180	175	160	116	135	-	55	125	215	20	-	56
100 L	1A□4	2, 4, 6	160	40	200	196	165	129	135	-	55	140	258	24	-	63
	1A□5		4	160	40	200	196	165	129	135	-	55	140	258	24	-
112 M	1B□2	2, 4, 6	190	45	226	217	193	145	152	-	64	140	236	20	42	70
132 S	1C□0	2, 4, 6	216	55	262	258	203	166	152	-	64	140	226	23	42	89
	1C□1		2	216	55	262	258	203	166	152	-	64	140	226	23	42
132 M	1C□2	4, 6	216	55	262	258	203	166	152	-	64	178	271	23	42	89
	1C□3		6	216	55	262	258	203	166	152	-	64	178	271	23	42
160 M	1D□2	2, 4, 6	254	65	314	311	255	207	195	480	83	210	260	25	60	108
	1D□3		2	254	65	314	311	255	207	195	480	83	210	260	25	60
160 L	1D□4	2, 4, 6	254	65	314	311	255	207	195	480	83	254	320	25	60	108
180M	1E□2	2, 4	279	70	349	356	270	223	195	515	83	241	345	35	60	121
180L	1E□4	4, 6	279	70	349	356	270	223	195	515	83	279	385	35	60	121
200L	2A□4	2, 6	318	70	388	398	310	248	255	575	102	305	412	32	72	133
	2A□5		2, 4, 6	318	70	388	398	310	248	255	575	102	305	412	32	72
225S	2B□0	4	356	75	431	428	320	257	255	605	102	286	366	45	72	149
225M	2B□2	2, 4, 6	356	75	431	428	320	257	255	605	102	311	405	45	72	149

¹⁾ 该尺寸为 DIN EN 50347 标准所列机座号对应尺寸 he dimension corresponds to the dimension that listed in the DIN 50347 Standard;

IM B5 以及 IM V1 安装方式 Type of construction IM B5 and IM V1



IM B14 安装结构型式 Type of construction IM B14



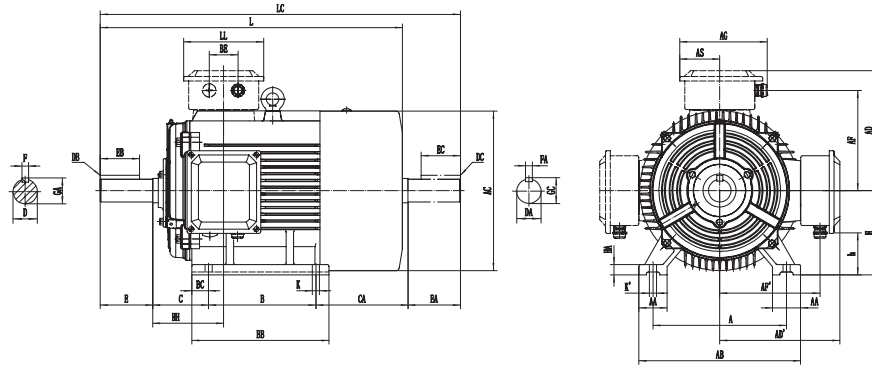
尺寸图依据 IEC 标准 Dimension designation according to IEC standards											驱动端轴伸直径 DE shaft extension					非驱动端轴伸 (选件号为 X17) NDE shaft extension (option code X17)					
CA ¹⁾	H	h	HA	HH_ Top	HH_ RHS	HH_ LHS	K / K'	L	LC	LL	D	DB	E	EB	F	GA	DA	EA	EC	FA	GC
148	80	29	10	72	100	100	10	335	378	103	19	M6	40	22	6	21.5	19	40	22	6	21.5
148	80	29	10	72	100	100	10	335	378	103	19	M6	40	22	6	21.5	19	40	22	6	21.5
164	90	35	12	75	106	106	10	365	420	110	24	M8	50	32	8	27	24	50	32	8	27
169	90	35	12	75	119	119	10	395	450	110	24	M8	50	32	8	27	24	50	32	8	27
198	100	45	14	77	77	77	12	455	521	110	28	M10	60	40	8	31	28	60	40	8	31
198	100	45	14	77	77	77	12	455	521	110	28	M10	60	40	8	31	28	60	40	8	31
191	112	48	15	87	87	87	12	455	521	119	28	M10	60	40	8	31	28	60	40	8	31
208	132	68	18	99	99	99	12	510	597	119	38	M12	80	56	10	41	38	80	56	10	41
208	132	68	18	99	99	99	12	510	597	119	38	M12	80	56	10	41	38	80	56	10	41
217	132	68	18	99	99	99	12	555	644	119	38	M12	80	56	10	41	38	80	56	10	41
217	132	68	18	99	99	99	12	555	644	119	38	M12	80	56	10	41	38	80	56	10	41
189	160	77	20	150	150	276	15	615	727	157	42	M16	110	80	12	45	42	110	80	12	45
189	160	77	20	150	150	276	15	615	727	157	42	M16	110	80	12	45	42	110	80	12	45
206	160	77	20	150	150	150	15	675	788	157	42	M16	110	80	12	45	42	110	80	12	45
261	180	97	22	161	161	361	15	730	843	157	48	M16	110	80	14	51.5	48	110	80	14	51.5
263	180	97	22	161	161	401	15	770	883	157	48	M16	110	80	14	51.5	48	110	80	14	51.5
277	200	94	25	186	186	430	19	820	935	197	55	M20	110	80	16	59	55	110	80	16	59
277	200	94	25	186	186	430	19	820	935	197	55	M20	110	80	16	59	55	110	80	16	59
245	225	119	28	189	189	384	19	810	960	197	60	M20	140	100	18	64	60	140	100	18	64
275	225	119	28	189	189	439	19	835	955	197	55	M20	110	80	16	59	55	110	80	16	59
								865	1015		60		140	100	18	64	60	140	100	18	64

外形尺寸 Dimension drawings

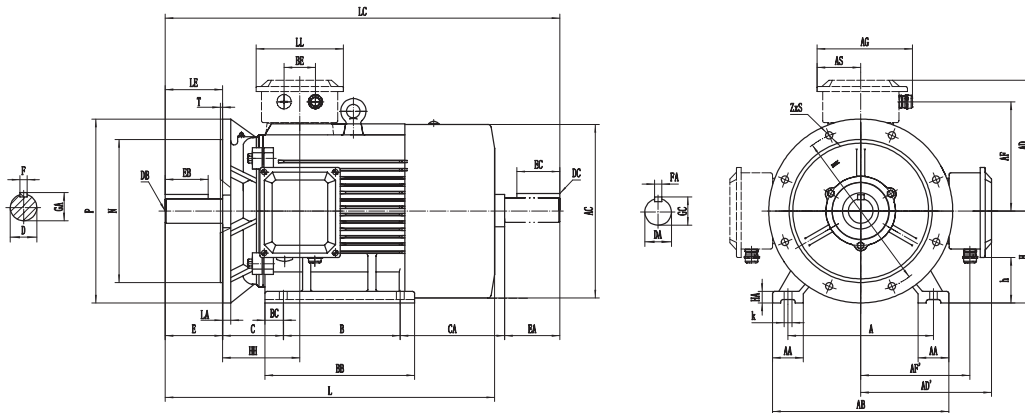
1TL0003 铸铁系列电机 Cast-iron series 1TL0003

机座号从 80M~355L Frame sizes 80M TO 355L

IM B3 安装结构方式 Type of construction IM B3



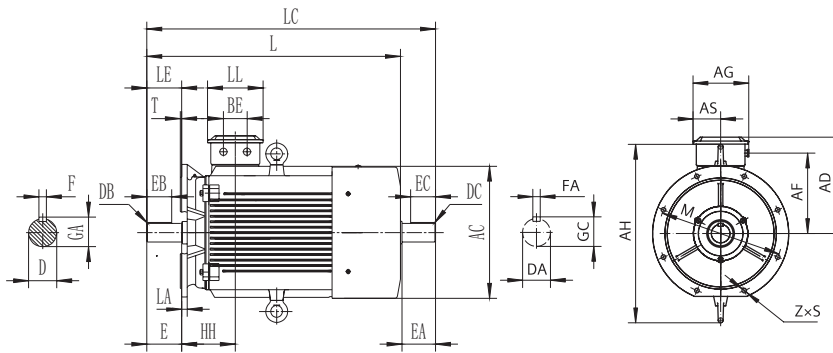
IM B35 安装结构方式 Type of construction IM B35



机座号 Frame size	类型 Type 1TL0003-	极数 Poles	尺寸图依据 IEC 标准 Dimension designation according to IEC standards													
			A	AA	AB	AC	AD / AD'	AF / AF'	AG	AH	AS	B ¹⁾	BB	BC	BE	C
250M	2C □ 2	2 4, 6	406	80	484	475	360	292	285	685	119	349	460	40	80	168
280S	2D □ 0	2 4, 6	457	85	542	530	395	322	285	755	119	368	485	74	80	190
280M	2D □ 2	2 4, 6	457	85	542	530	395	322	285	755	119	419	536	74	80	190
315S	3A □ 0	2 4, 6	508	120	628	581	505	413	370	920	171	406	540	84	120	216
315M	3A □ 2	2 4, 6	508	120	628	581	505	413	370	920	171	457/508	680	84	120	216
315L	3A □ 5/3A □ 6/ 3A □ 7	2 4, 6	508	120	628	581	505	413	370	920	171	457/508	680	84	120	216
355L	3B □ 2	2 4, 6	610	120	730	698	625	516	454	1140	181	560/630	750	68	125	254
	3B □ 3	2 4, 6	610	120	730	698	625	516	454	1140	181	560/630	750	68	125	254
	3B □ 4	6	610	120	730	698	625	516	454	1140	181	560/630	750	68	125	254
	3B □ 5	2 4, 6	610	120	730	698	625	516	454	1140	181	560/630	750	68	125	254
	3B □ 6	2 4, 6	610	120	730	698	625	516	454	1140	181	560/630	750	68	125	254

¹⁾ 该尺寸为 DIN EN 50347 标准所列机座号对应尺寸 the dimension corresponds to the dimension that listed in the DIN 50347 Standard;

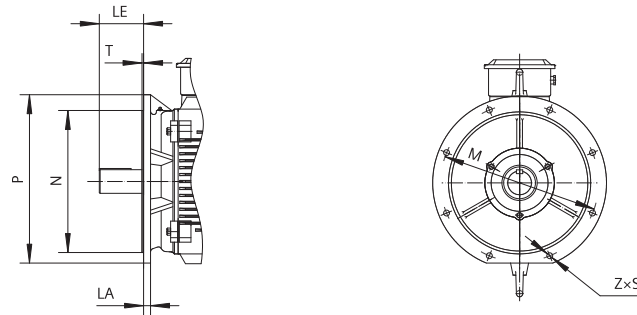
IM B5 以及 IM V1 安装方式 Type of construction IM B5 and IM V1



尺寸图依据 IEC 标准 Dimension designation according to IEC standards											驱动端轴伸直径 DE shaft extensiion					非驱动端轴伸 (选件号为 X17) NDE shaft extension (option code X17)					
CA ¹⁾	H	h	HA	HH _{Top}	HH _{RHS}	HH _{LHS}	K / K'	L	LC	LL	D	DB	E	EB	F	GA	DA	EA	EC	FA	GC
308	250	126	30	222	222	504	24	955	1105 1105	224	60 65	M20	140	100	18	64 69	60 65	140 140	100	18	64 69
297	280	156	35	216	216	216	24	985	1135	224	65 75	M20	140	100	18 20	69 79	65 75	140 140	100	18 20	69 79
296	280	156	35	216	216	216	24	1035	1185	224	65 75	M20	140	100	18 20	69 79	65 75	140 140	100	18 20	69 79
420	315	155	45	258	258	258	28	1175	1322	310	65 80	M20	140	100	18	69 85	65 80	140 170	100 130	18 22	69 85
599/548	315	155	45	258	258	258	28	1405	1552	310	65	M20	140	100	18	69	65	140	100	18	69
599/548	315	155	45	258	258	258	28	1435	1612	310	80	M20	170	130	22	85	80	170	130	22	85
599/548	315	155	45	258	258	258	28	1405	1552	310	65	M20	140	100	18	69	65	140	100	18	69
599/548	315	155	45	258	258	258	28	1435	1612	310	80	M20	170	130	22	85	80	170	130	22	85
548/478	355	136	53	281	281	281	28	1490	1642	362	75 95	M20 M24	140 170	125 140	20 25	79.5 100	75 95	140 170	125 140	20 25	79.5 100
548/478	355	136	53	281	281	281	28	1520	1702	362	75 95	M20 M24	140 170	125 140	20 25	79.5 100	75 95	140 170	125 140	20 25	79.5 100
548/478	355	136	53	281	281	281	28	1520	1702	362	95	M24	170	140	25	100	95	170	140	25	100
548/478	355	136	53	281	281	281	28	1490	1642	362	75	M20	140	125	20	79.5	75	140	125	20	79.5
548/478	355	136	53	281	281	281	28	1520	1702	362	95	M24	170	140	25	100	95	170	140	25	100
548/478	355	136	53	281	281	281	28	1490	1642	362	75	M20	140	125	20	79.5	75	140	125	20	79.5
548/478	355	136	53	281	281	281	28	1520	1702	362	95	M24	170	140	25	100	95	170	140	25	100

法兰尺寸 Flange dimension

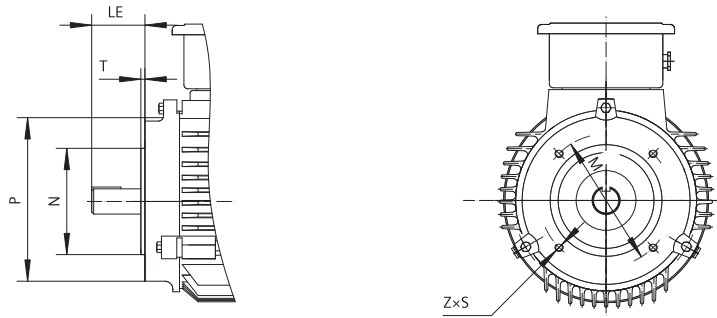
IM B5、IM B35、IM V1、IM V3 安装结构型式 Type of construction IM B5, IM B35, IM V1, IM V3



机座号 Frame size	安装结构形式 Type of construction	法兰带通孔 (FF/A) / 法兰带内螺纹孔 (FT/C) Flange with through holes (FF/A) / tapped holes (FT/C) 按 DIN / EN 50 347 标准 According to DIN EN 50347
80	IM B5, IM B35, IMV1, IM V3 IM B14, IM V18, IM V19	FF 165 FT 100
90	IM B5, IM B35, IMV1, IM V3 IM B14, IM V18, IM V19	FF 165 FT 115
100	IM B5, IM B35, IMV1, IM V3 IM B14, IM V18, IM V19	FF 215 FT 130
112	IM B5, IM B35, IMV1, IM V3 IM B14, IM V18, IM V19	FF 215 FT 130
132	IM B5, IM B35, IMV1, IM V3	FF 265
160	IM B5, IM B35, IMV1, IM V3	FF 300
180	IM B5, IM B35, IMV1, IM V3	FF 300
200	IM B5, IM B35, IMV1, IM V3	FF 350
225	IM B5, IM B35, IMV1, IM V3	FF 400
250	IM B5, IM B35, IMV1, IM V3	FF 500
280	IM B5, IM B35, IMV1, IM V3	FF 500
315	IM B5, IM B35, IMV1, IM V3	FF 600
355	IM B5, IM B35, IMV1, IM V3	FF 740

法兰尺寸 Flange dimension

IM B14、IM V18、IM V19 安装结构型式 Type of construction IM B14, IM V18, IM V19



尺寸图依据 Dimension designation according to IEC standards								
	LA	LE	M	N	P	S	T	Z
	12	40	165	130	200	12	3.5	4
	—	40	100	80	120	M 6	3	4
	12	50	165	130	200	12	3.5	4
	—	50	115	95	140	M 8	3	4
	13	60	215	180	250	14.5	4	4
	—	60	130	110	160	M 8	3.5	4
	14	60	215	180	250	14.5	4	4
	—	60	130	110	160	M 8	3.5	4
	14	80	265	230	300	14.5	4	4
	14	110	300	250	350	18.5	5	4
	15	110	300	250	350	18.5	5	4
	17	110	350	300	400	18.5	5	4
	20	110 / 140	400	350	450	18.5	5	8
	22	140	500	450	550	18.5	5	8
	22	140	500	450	550	18.5	5	8
	22	140 / 170	600	550	660	24	6	8
	25	140 / 170	740	680	800	24	6	8

西门子电机（中国）有限公司

地址：江苏省仪征市汽车工业园众鑫路 99 号

电话：+86 514 85718108

传真：+86 514 85718083

邮编：211400

邮箱：beide-motor.ssml@siemens.com

网址：www.beide-motor.cn

774-SH902774-03182

西门子电机（中国）有限公司版权所有
如有改动 恕不事先通知。

Siemens Standard Motors Ltd.

Address: No.99,Zhongxin Road, Yizheng City, Jiangsu Province
211400,P.R.China

Tel: +86 514 85718108

Fax: +86 514 85718083

Post code: 211400

E-Mail: beide-motor.ssml@siemens.com

Web site: www.beide-motor.cn